

MINI SWING PISTON COMPRESSORS AND VACUUM PUMPS FOR AIR



NPK 04 DC



NPK 04 DC-B

Concept

The swing piston pumps from KNF are based on a simple principle: As it rises and falls the piston tilts first to one side, then the other. The compression forces act along the axis of the connecting rod, so that there is no component of force acting against the cylinder wall to cause wear. Thanks to the sealing lip on the piston seal the swing piston pump runs dry and 100% oil-free. KNF swing piston pumps evacuate, transfer and compress air without contamination.

For customers with specific requirements the KNF project team produces tailor made solutions. Use our experience to your advantage and talk to our application engineers.

Features

- No contamination of the air due to oil-free operation**
- Maintenance-free**
- High level of flow-rate**
- Excellent price performance ratio**
- Very quiet and little vibration**
- Ready for installation**
- Can operate in any installed position**

Areas of use

The mini swing piston pumps offer a high level of performance despite their small size, as well as an excellent price performance ratio. They are used especially in the fields of medicine, environmental and production technology.

These pumps are used for transferring, compressing and evacuating air, taking samples, evacuating vessels and compressing air in process systems and vessels.

PERFORMANCE DATA

Type	Delivery (l/min)	Vacuum (mbar absolute)	Pressure (bar g)	Weight (g)
NPK 04 Vacuum DC	3.3	300		200
NPK 04 Pressure DC	3.3		1.0	200
NPK 04 Vacuum DC-B	3.3	300		280
NPK 04 Pressure DC-B	3.3		1.0	280

atm. pressure

NPK 04 DC

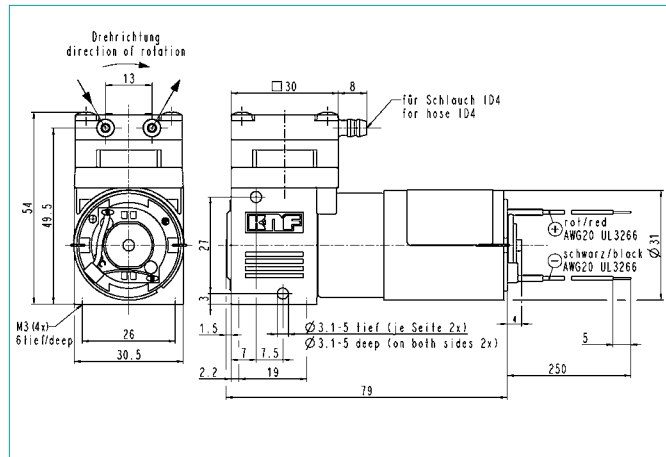
PERFORMANCE DATA

Type	Delivery at atm. pressure (l/min) ¹⁾	Max. operating pressure (bar g)	Ultimate vacuum (mbar abs.)
NPK 04 Vacuum DC	3.3	-	300
NPK 04 Pressure DC	3.3	1.0	-

¹⁾ Liter at STP

MOTOR DATA

DC motor	12 V	24 V
----------	------	------



NPK 04 DC-B

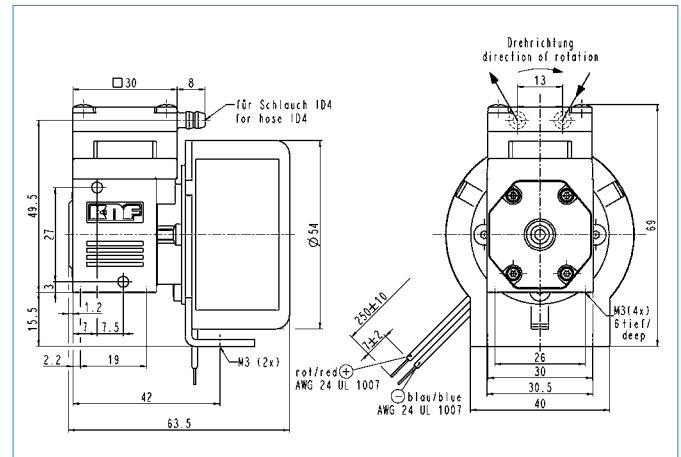
VERSION WITH BRUSHLESS DC MOTOR

PERFORMANCE DATA

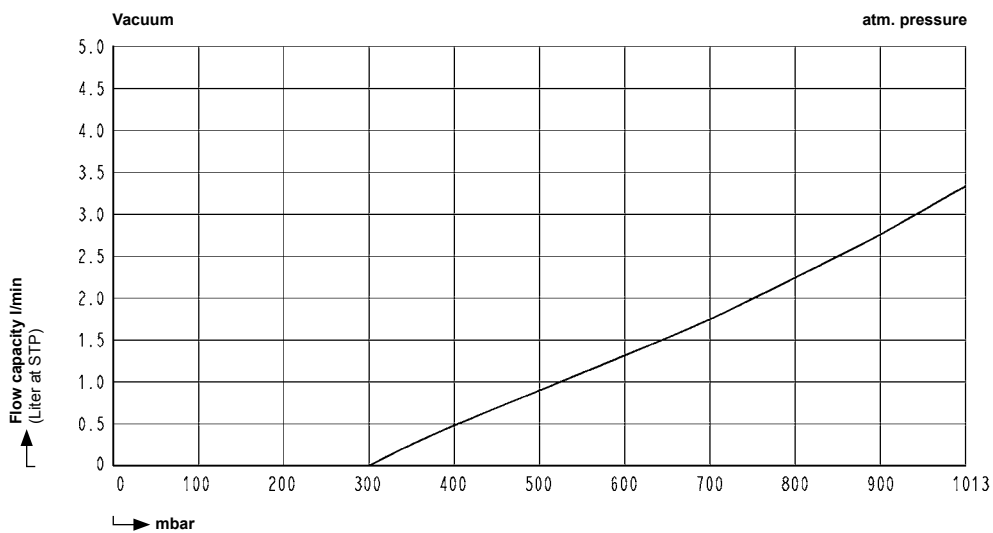
Type	Delivery at atm. pressure (l/min) ¹⁾	Max. operating pressure (bar g)	Ultimate vacuum (mbar abs.)
NPK 04 Vacuum DC-B	3.3	-	300
NPK 04 Pressure DC-B	3.3	1.0	-

MOTOR DATA

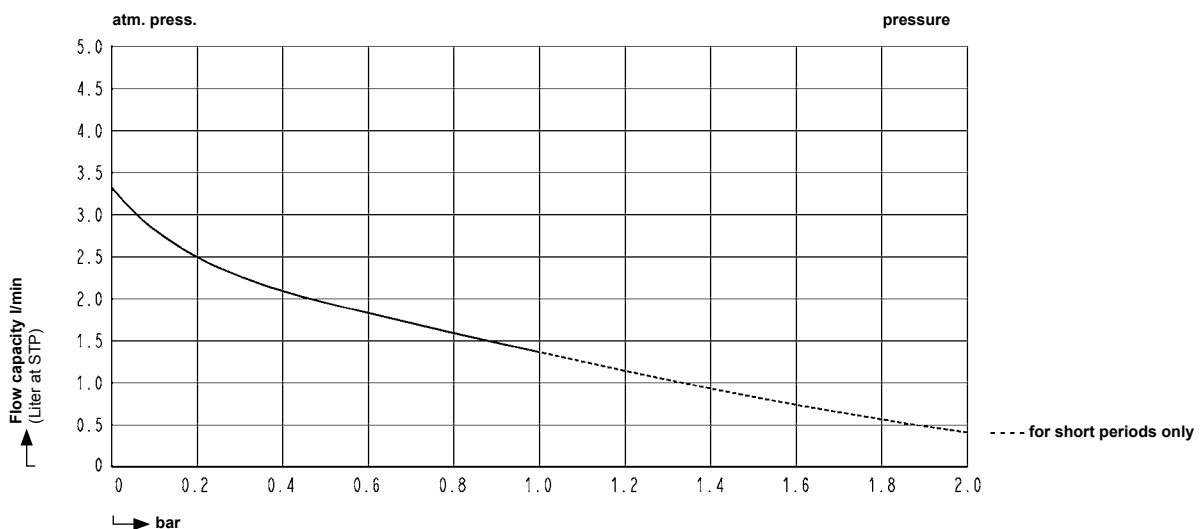
DC motor	12 V	24 V
----------	------	------



NPK 04 VACUUM



NPK 04 PRESSURE



HINTS ON FUNCTION AND INSTALLATION

Function of KNF swing piston vacuum pumps and compressors

As it rises and falls the piston tilts first to one side, then the other (see figure 1). Just as with the diaphragm pump, the compression forces act along the axis of the connecting rod, so that there is no component of force acting against the cylinder wall to cause wear. In contrast to the diaphragm pump (see figure 2), the swing piston pump has a sealing lip. Thanks to the sealing lip on the piston seal the swing piston pump runs dry, and 100% oil-free.

SYSTEMS

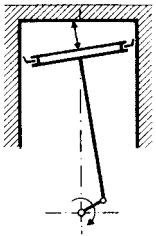


Fig. 1:
swing piston

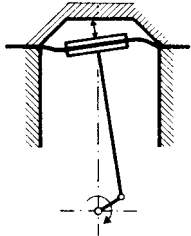
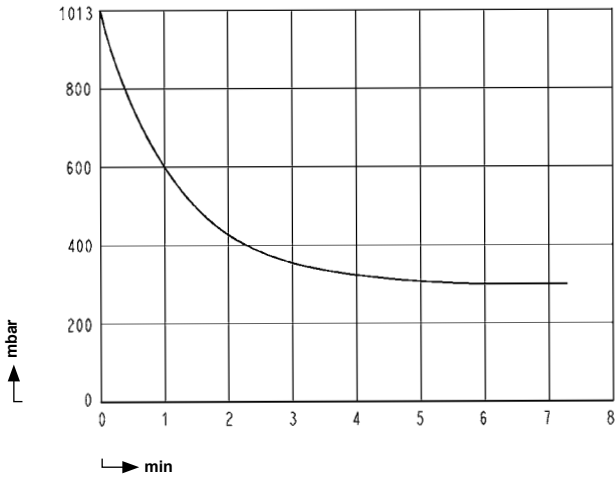


Fig. 2:
diaphragm pump

Hints on installation and operation

- Range of use: Transferring air at temperatures between +5 °C and +40 °C.
 - Permissible ambient temperature: +5 °C ... +40 °C.
 - The standard pumps are not suitable for use in areas where there is a risk of explosion. In these cases there are other products in the KNF program – please ask us for details.
 - The pumps are not designed to start against pressure or vacuum; when a pump is switched on the pressure in the suction and pressure lines must be atmospheric. Pumps that start against pressure or vacuum are available on request.
 - To prevent the maximum operating pressure being exceeded, restriction or regulation of the air flow should only be carried out in the suction line.
 - Components connected to the pump must be designed to withstand the pneumatic performance of the pump.
- Install the pump so that the fan can draw in sufficient cooling air.
 - Fit the pump at the highest point in the system, so that condensate cannot collect in the head of the pump – that prolongs working-life.

PUMP DOWN TIME FOR 5 LITER VESSEL | NPK 04 VACUUM



ACCESSORIES

Description	Order No.
Silencer/Filter	024805

KNF Neuberger GmbH
 Alter Weg 3
 D 79112 Freiburg
 Tel. +49 7664 5909 0
 Fax +49 7664 5909 99
 info@knf.de
 www.knf.de

YOUR LOCAL PARTNER AROUND THE WORLD

KNF SALES ORGANIZATION

Australia KNF Regional Office
Moreland West VIC 3055
Tel. +61 3 9386 4959
info@knf.com.au
www.knf.com.au

Benelux Netherlands KNF Verder B.V.
3451 GG Vleuten
Tel. +31 30 677 92 40
info@knf-verder.nl
www.knf-verder.nl

Benelux Belgium and Luxemburg
KNF Verder N.V.
2630 Aartselaar
Tel. +32 3 871 96 24
info@knf.be
www.knf.be

China KNF Technology (Shanghai) Co., Ltd.
Shanghai 201203
Tel. +86 21 5109 9695
info@knf.com.cn
www.knf.com.cn

France KNF Neuberger SAS
68128 Village-Neuf
Tel. +33 389 70 35 00
info@knf.fr
www.knf.fr

Germany KNF Neuberger GmbH
79112 Freiburg
Tel. +49 7664 5909 0
info@knf.de
www.knf.de

India KNF Pumps + Systems (India) Pvt. Ltd.
Hinjewadi Pune 411 057
Tel. +91 20 640 13 923
info@knfpumps.in
www.knfpumps.in

Italy KNF Italia S.r.l.
20063 Cernusco s. Naviglio (MI)
Tel. +39 02 929 04 91
info@knf.it
www.knf.it

Japan KNF Japan Co. Ltd.
Tokyo 104-0033
Tel. +81 3 3551 7931
info@knf.co.jp
www.knf.co.jp

Korea KNF Neuberger Ltd.
135-502 Seoul
Tel. +82 2 959 0255
knf@knfkorea.com
www.knfkorea.com

Latin America KNF Regional Office
Tel. +1 609 649 1010
gb@knf.com
www.knf.com/es

Morocco, Tunisia, Algeria
KNF Neuberger SAS
68128 Village-Neuf
Tel. +33 389 70 35 00
info@knf.fr
www.knf.fr

Singapore KNF Regional Office
Tel. +65 9722 1994
info@knf.com.sg
www.knf.com.sg

Sweden, Finland, Denmark, Norway
KNF Neuberger AB
117 43 Stockholm
Tel. +46 8 744 51 13
info@knf.se
www.knf.se

Switzerland KNF Neuberger AG
8362 Balzerswil
Tel. +41 71 973 99 30
knf@knf.ch
www.knf.ch

UK, Ireland KNF Neuberger U.K., Ltd.
Witney, Oxfordshire OX28 4FA
Tel. +44 1993 77 83 73
info@knf.co.uk
www.knf.co.uk

USA, Canada KNF Neuberger, Inc.
Trenton, NJ 08691-1810
Tel. +1 609 890 8600
knfusa@knf.com
www.knfusa.com

KNF PRODUCT CENTERS

Gas Pumps KNF Neuberger GmbH
DE-79112 Freiburg
info@knf.de
www.knf.de

Micro Gas Pumps KNF Micro AG
CH-6260 Reiden
info@knf-micro.ch
www.knf-micro.ch

Liquid Pumps KNF Flodos AG
CH-6210 Sursee
info@knf-flodos.ch
www.knf-flodos.ch