

VD10

4 Channel Vacuum Display And Control Unit Absolute Pressure 1000 to 5×10^{-10} mbar

VD10 is an intelligent control unit for application in apparatus and plant engineering or special equipment construction.

Eight potential free relay switches can be mapped to different measuring channels.

Compact metal 19inch cassette
21 HP x 3 RU.



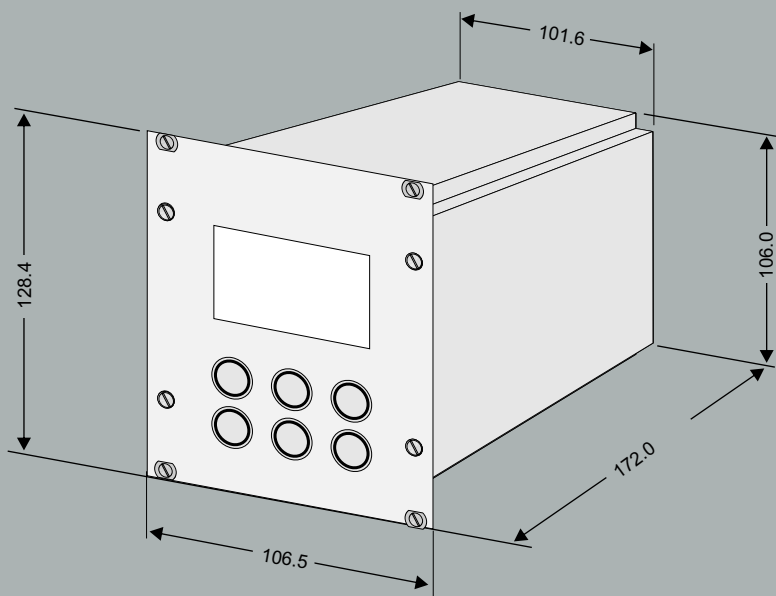
Typical Applications

- Industrial plant engineering
- Process automation
- Coating plants
- Vacuum furnaces
- Apparatus engineering, e. g. process control and documentation for quality assurance
- Special equipment construction

Benefits

- Simultaneous control of up to 4 measuring channels
- Can be combined with Smartline transducers
- 8 potential-free relay switches
- 2 programmable function keys
- Universal switched mode power supply 95 - 265 VAC
- Pressure display in mbar, Torr, hPa
- Fail safe operation due to the EMC compatible metal housing
- Foil-protected front panel
- Large graphic LCD display with background illumination
- Comfortable operation by menu-driven operator guidance
- USB interface for process documentation
- VacuGraph software: Documentation and evaluation of vacuum processes, remote control
- On demand the controller can be configured ex works according to the customer's requirements





Dimensions in mm

Technical Data

Suitable Vacuum Transducers	All Smartline transducers, VSP63MV, VSP64MV, VCP63MV
Display	LCD graphic display, background illuminated, 57 x 35 mm, floating point: 2 - 4 digits, exponential, 2 digits mantissa, 1 digit exponent
Display Refresh Rate	2 Hz (0.5 s)
Sample Rate	5 Hz (200 ms) per channel (RS485-serial interface, digital) 30 Hz (33 ms) per channel (0 - 10 V input, analog)
Power Supply	95 - 265 VAC, 50/60 Hz
Power Consumption	Max. 45 W incl. transducer
Fuse	2.0 A / T
Operating Temperature	+5...+40°C
Storage Temperature	-20...+60°C
Measuring Inputs	1 x RS485, SubD, 15pole, male, for Smartline 2 x 0 - 10 V Amphenol C91E, 6pole, female, f. VSP63MV, VSP64MV
Control Outputs	8 x relay, normally open contact, SP assignable, Phoenix strip terminal 16-pole, lifetime > 1.000.000 cycles, 3 A, 250 VAC, 2 A 40 VD
Serial Interface	Mini-USB, type B, 5pole, female, Virtual Com Port protocol
Protection Class	IP20
Weight	1100 g

Product Codes

- **VD10S8**
4 channel display and control unit, 19" cassette 21 HP x 3 RU, 95 - 265 VAC

Accessories:

- **W1515002**
Measuring cable RS485 for Smartline transducers, shielded, 2 m
- **W1515006**
As W1515002, 6 m
- **VGR**
VacuGraph Windows software
- **WUSB0002**
USB interface cable, shielded, 2 m