

VD12

2 Channel Vacuum Display And Control Unit Absolute Pressure 1400 to 5×10^{-10} mbar

VD12 is an intelligent control unit for applications in apparatus and plant engineering or special equipment construction.

It offers two relay switches, one common or two independent set points.

19inch cassette 14 HP x 3 RE.



Smartline

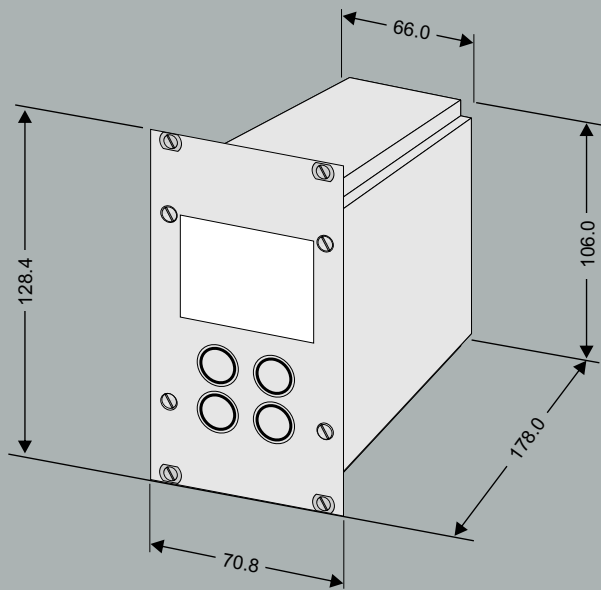
Typical Applications

- Industrial plant engineering
- Process automation
- Apparatus engineering, e. g. process control and documentation for quality assurance
- Mechanical engineering
- Packaging technology
- Chemical process engineering (vacuum mixers)

Benefits

- Simultaneous control of 2 measuring channels
- Can be combined with all Smartline and 0-10 V Analogline transducers
- Pressure display in mbar, Torr, hPa
- Universal switched mode power supply 95 - 265 VAC
- 2 potential-free relay switches
- Two- or three-step control
- Robust 19" metal cassette with foil-protected front panel
- EMI compatible
- Adjustable gas type correction factor
- Large graphic LCD display with background illumination
- Comfortable operation by menu-driven operator guidance
- USB interface for process documentation and setpoint programming
- VacuGraph software: Documentation and evaluation of vacuum processes, programming set points, remote control
- On demand the controller can be configured ex works according to the customer's requirements





Dimensions in mm

Technical Data

Suitable Vacuum Transducers	All Smartline transducers, VSC43MV, VSP63MV, VSP64MV, VCP63MV
Display	LCD graphic display, background illumination, resolution 128x64
Display Refresh Rate	2 Hz (0.5 s)
Sample Rate	RS485: 12,5 Hz (80 ms) / channel 0-10V: 50 Hz (20 ms) / channel
Power Supply	95 - 265 VAC, 50/60 Hz
Power Consumption	Max. 25 W incl. transducer
Fuse	0.8 A/T
Operating Temperature	+5...+50°C
Storage Temperature	-20...+60°C
Measuring Inputs	1 x RS485, SubD male, 15pole, for Smartline 2 x Amphenol C91E, 6pole, 0-10 V, female, for Analogline
Control Outputs	2 x relay contact, potential free change over switches, Phoenix strip terminal 6-pole, lifetime > 300.000 cycles, 4 A / 250 VAC, 2 A / 45 VDC
Serial Interface	Mini-USB, Type B, 5pole, female, Virtual Com Port Protocol
Protection Class	IP20
Weight	750 g

Product Codes

- **VD12S2**
19inch cassette 14 HP x 3 RU, USB, 95 - 265 VAC

Complete Sets

- **VD1253P** (1200 - 1×10^{-4} mbar)
VD12 + VSR53D + cable 2 m
- **VD1263P** (1000 - 1×10^{-4} mbar)
VD12 + VSP63D + cable 2 m
- **VD1277P** (1000 - 5×10^{-9} mbar)
VD12 + VSM77D + cable 2 m
- **VD1288P** (1000 - 5×10^{-10} mbar)
VD12 + VSH88D + cable 2 m

Accessories:

- **W1515002**
Measuring cable RS485 for Smartline transducers, shielded, 2 m
- **W1515006**
As W1515002, 6 m
- **VGR**
VacuGraph Windows software
- **WUSB0002**
Interface cable USB, shielded, 2 m