



Plastic chain for processed butcher industry





About **WELDON**

Yangzhou Weldon Transmission Equipment Co., Ltd.
(Yizheng Dongnan Plastic Mold Factory), founded in 2000,
is a professional producer of plastic conveyor chains, modular plastic belts
and conveying components.



With rich experience and comprehensive innovations, Weldon has been providing top quality products and services in diverse industries for more than 20 years . Weldon has a culture of innovation and is focused with a drive towards assisting customers achieve sustainability while lowering their total cost of ownership . **We are ready to serve you, WELL PREPARED!**



WELDON

APPLIED TO PORK, BEEF, POULTRY PROCESSED LINE



WELDON OFFERS SOLUTIONS



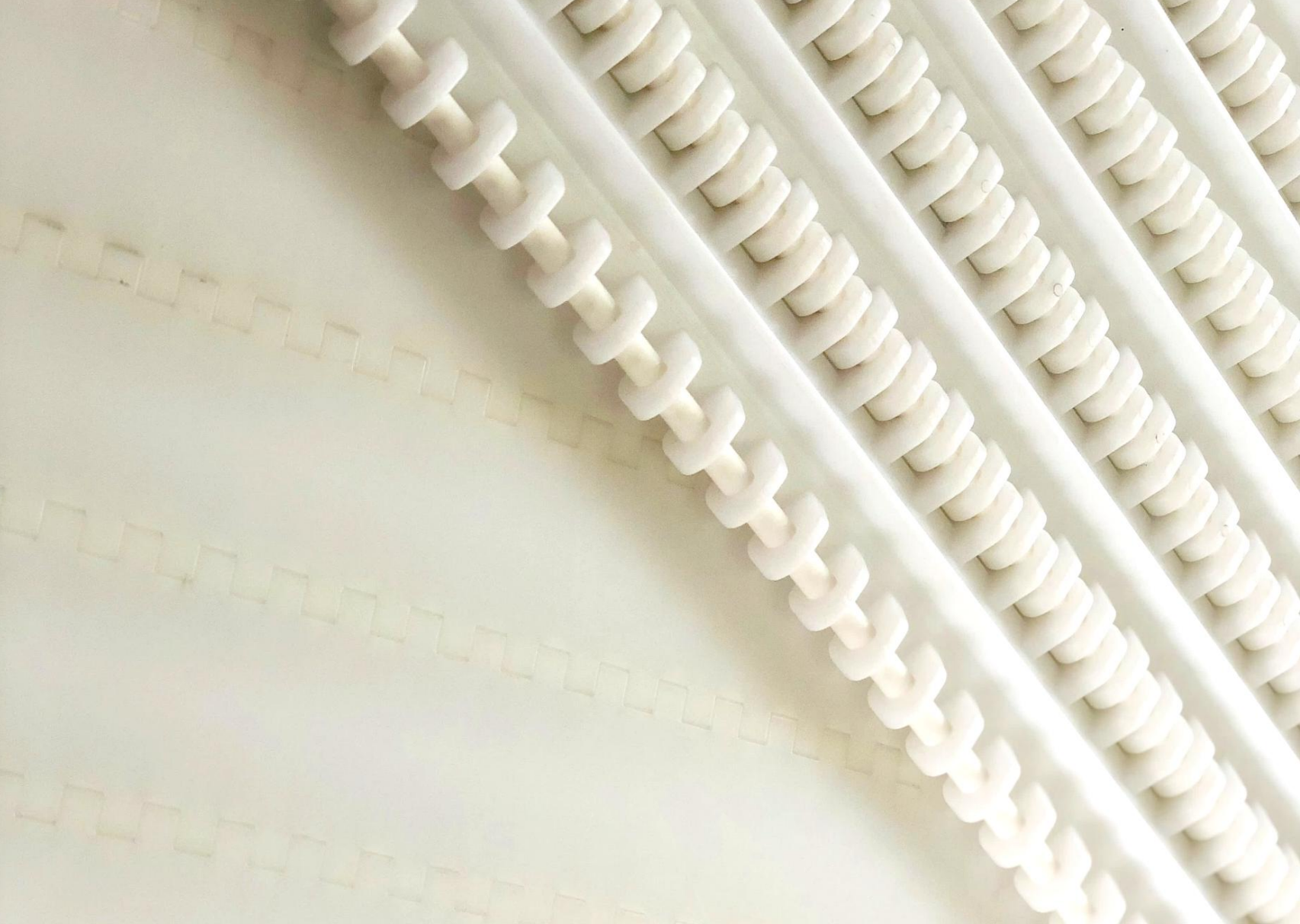
FOOD GRADE MATERIAL
EASY TO BE CLEANED
OPEN BOTTOM DESIGN

WELDON 1800 SERIES CHAIN

WELDON

- Less detergent
- Less washing water
- Less production cost



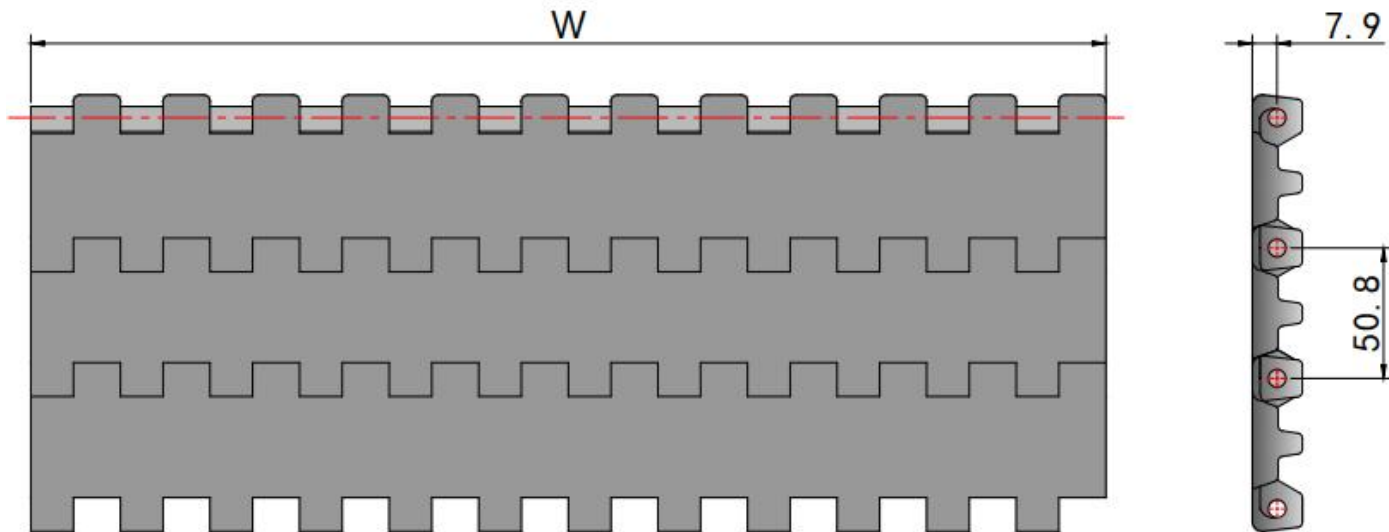


WELDON

- Strong edge design to improve wear resistance and stability.
- Optimized dimensions of the chain.
- Longer working life.



MODULAR STRAIGHT BELT- 1800 FLAT TOP



1800 SERIES

FLAT TOP CHAIN

2" PITCH-50.8mm

PIN MATERIAL: PBT (WHITE)

- SMOOTH SURFACE

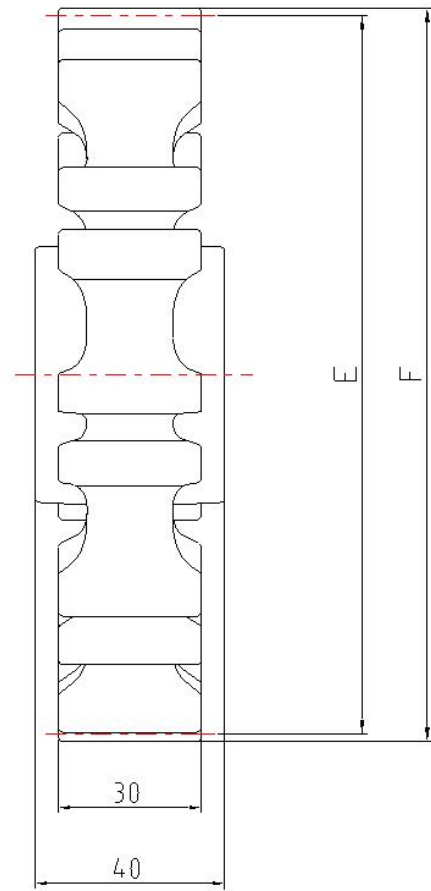
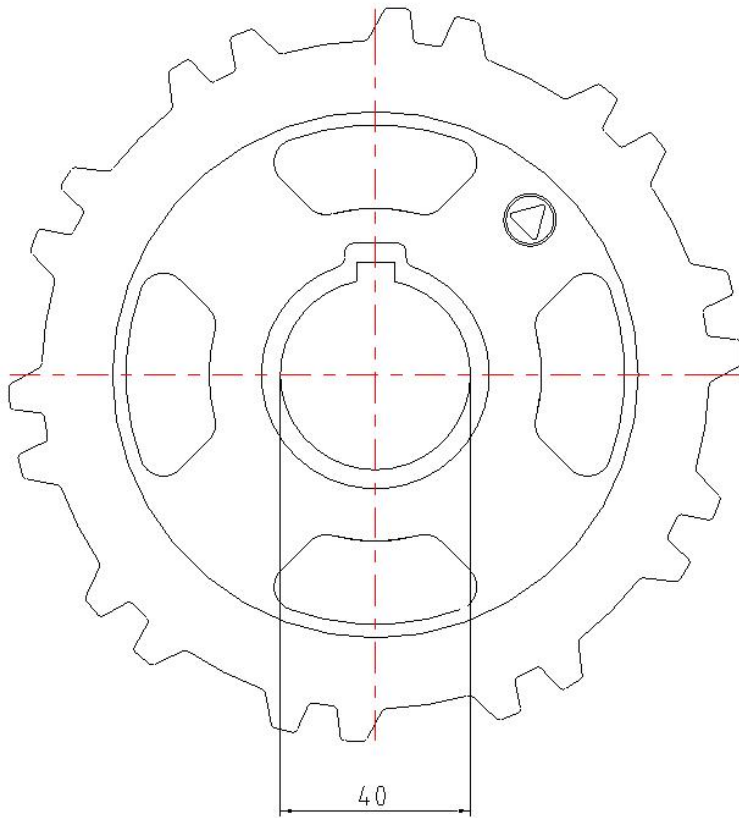
- COMPLETE CHAIN PIECE

- FOR PROCESSED BUTCHER INDUSTRY

- FDA CERTIFICATE

Model no.	Width	Pitch		Plate thickness	Working load (max)	Weight
	mm	mm	inch	mm	N	Kg/m ²
FT1800-200	202	50.8	2	7.9	13000	7.96
FT1800-300	303					
FT1800-500	505					
FT1800-600	622					
FT1800-800	807					

1800 SERIES STANDARD INJECTION SPROCKET



Name	Model no.	Teeth no.	Bore mm	Pitch diameter mm	Outside diameter mm	Hub width mm
1800 series standard injection sprocket	SC1800-10-R32	10	32	165	157	40
	SC1800-10-R35		35			
	SC1800-10-R38		38			
	SC1800-10-R40		40			



WELDON

WELDON 1800 SERIES FOR PROCESSED BUTCHER INDUSTRY

