



SPECIFICATIONS

- Voltage rating: 250V AC, DC
- Current rating: 7A AC, DC
- Withstanding Voltage: 1500V AC/minute
- Insulation resistance: 1000MΩ min
- Temperature range: -40°C~+105°C

WAFER

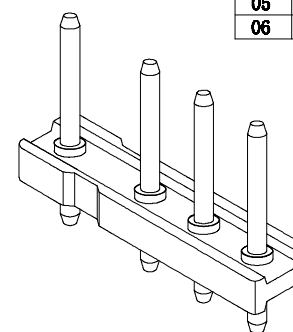
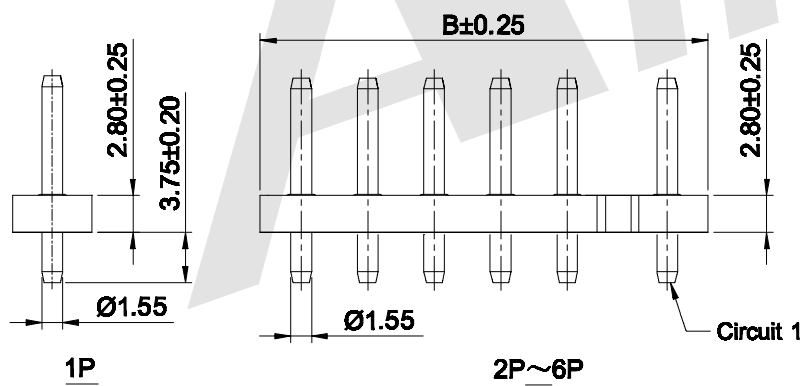
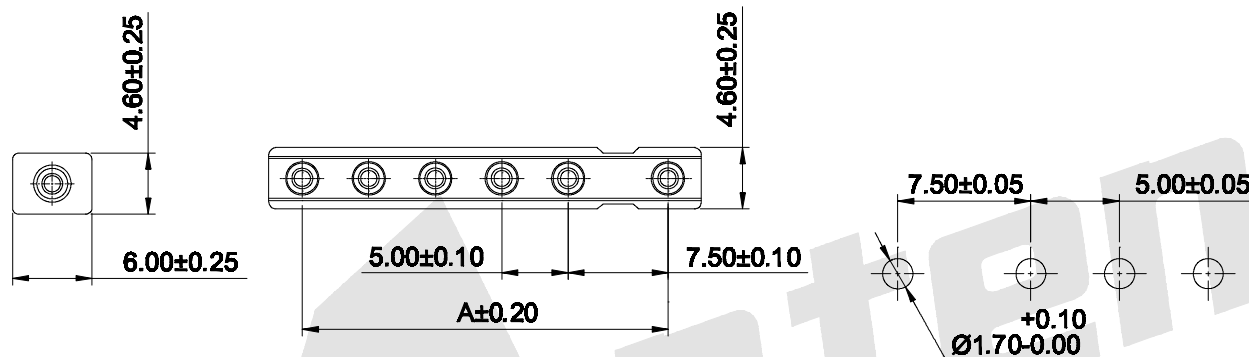
- Part NO: AW1561V-xP
- Material: Pin: Brass/Tin over Nickel
Insulator: Nylon 66, UL94V-0
- Mates with: AH1561 series Housing
- Color: White

Ordering Information & Dimensions:

Poles	Part No.	Dimensions (mm)	
		A	B
01	AW1561V-01P	—	6.00
02	AW1561V-02P	7.50	12.60
03	AW1561V-03P	12.50	17.60
04	AW1561V-04P	17.50	22.60
05	AW1561V-05P	22.50	27.60
06	AW1561V-06P	27.50	32.60

Unit:mm

P.C.B LAYOUT



Unless Otherwise specified tolerance
 X ±0.35 X, XX: ±0.20
 X, X: ±0.25 X, XXX: ±0.15

SCALE: As Shown UNIT: mm
 DRAW Jack Bao DATE 12/15/2017
 CHECK Bob Yang DATE 12/15/2017



Antenk ANTENK ELECTRONICS CO., LTD
[Http://www.antenk.com](http://www.antenk.com)
 E-mail:sales@antenk.com

TITLE: 7.50-5.00mm pitch 180° Wafer Connector Series

DRAWING NO: AW1561V-xP

PRODUCT NO: AW1561V-xP

REV	DESCRIPTION	DATE
1		