

HSF

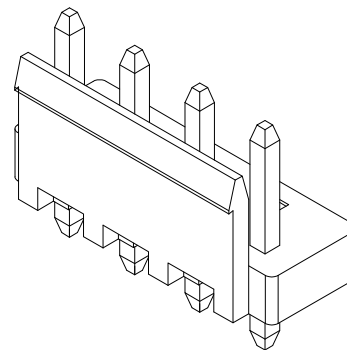
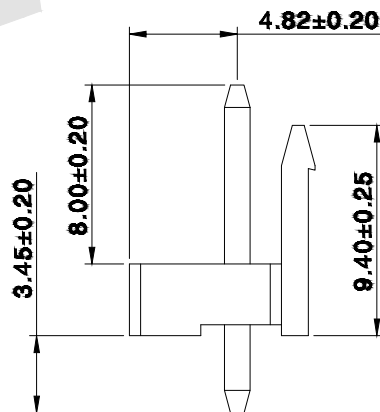
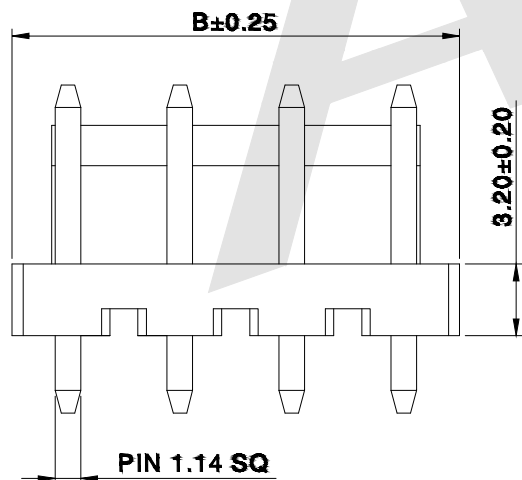
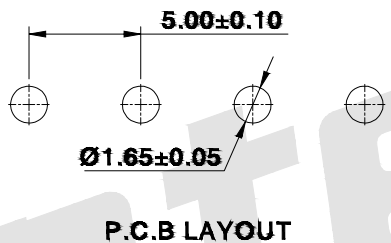
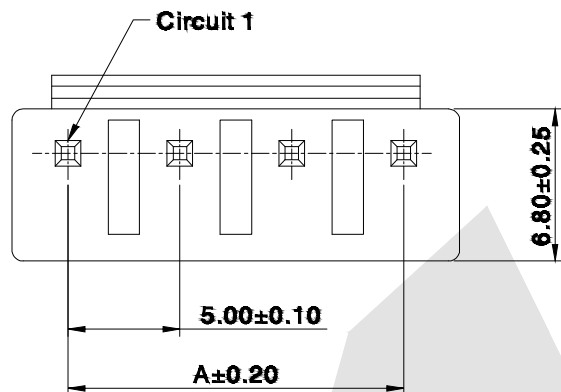


SPECIFICATIONS

- Voltage rating: 250V AC,DC
- Current rating: 10A, AC, DC
- Withstanding Voltage: 1500V AC/minute
- Insulation resistance: 1000MΩ min
- Temperature range: -25°C--+85°C
- Contact resistance: 10mΩ max

WAFER

- Part NO: AW5001S-XP
- Mates With AH5001-XP Series Housing
- Housing Material: Nylon66 UL94V-0
- Pin Material: Brass
- Contact Area Plating: Tin-Flash
- The Dimension Marked “ ” Must Be Recorded



Ordering Information & DIMENSIONS:

PART NO.	DIMENSIONS	
	A	B
2P	5.00	10.00
3P	10.00	15.00
4P	15.00	20.00

UNIT:MM

Unless Otherwise specified tolerance
 X. ±0.35 X.XX: ±0.20
 X.X: ±0.25 X.XXX: ±0.15

Antenk® ANTENK ELECTRONICS CO., LTD
[Http://www.antenk.com](http://www.antenk.com)
 E-mail:sales@antenk.com

SCALE: As Shown	UNIT: mm
DRAW Wu Feng Rong	DATE 26/10/2020
CHECK Bob Yang	DATE 26/10/2020

TITLE:
5.08 MM 180° Wafer Connector Series



DRAWING NO: AW5001S-XP
 PRODUCT NO: AW5001S-XP

REV	DESCRIPTION	DATE