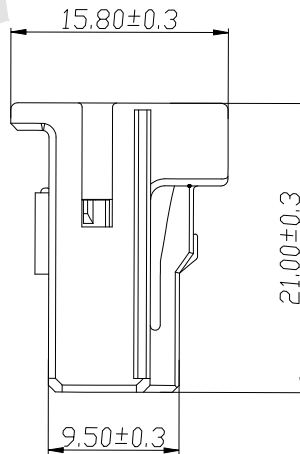
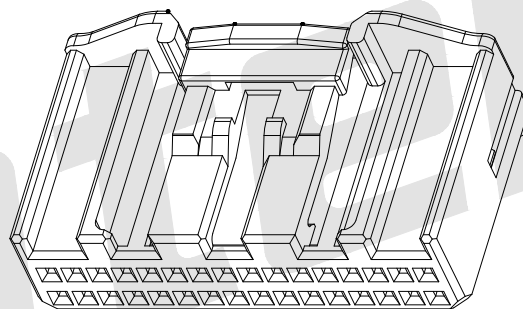
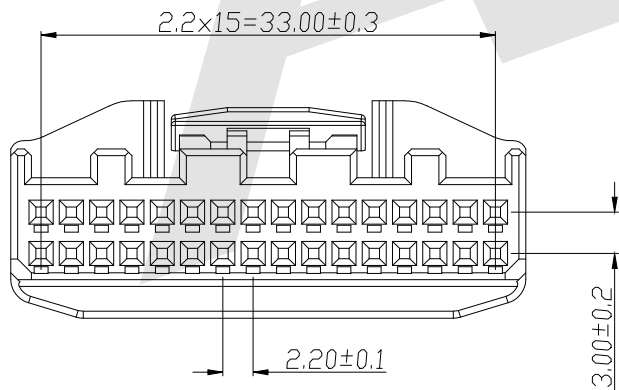
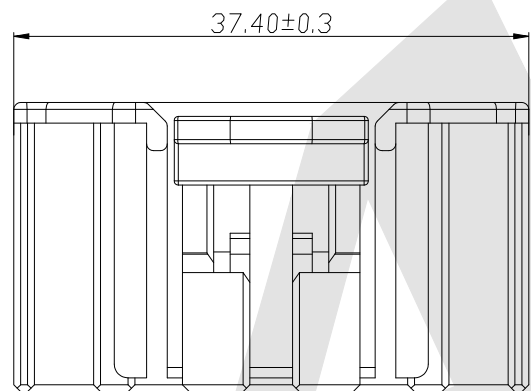
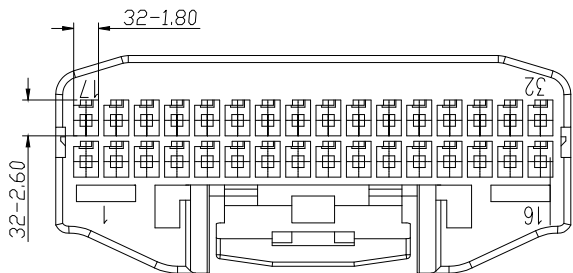


HSF



Technical Features:

1. Wire Range: AVSS, AVSSH-f 0.3~0.5MM<sup>2</sup> ;
2. Temperature Range: -40°C to 125°C.
3. Material: PBT

Ordering No.:

AH2201 - F - 32 - W - 04  
 ① ② ③ ④ ⑤

- ① Series No.
- ② Gender Type  
F: Female
- ③ Pin No.  
32: 32PIN
- ④ Color  
W: White
- ⑤ Product No.

Unless Otherwise specified tolerance  
 X.±0.35 X.XX:±0.20  
 X.X:±0.25 X.XXX:±0.15

SCALE: As Shown UNIT: mm  
 DRAW ZLA DATE 04/17/2023  
 CHECK BobYang DATE 04/17/2023

VER./版本号  
 3rd ANGLE PROJECTION

**Antenk** ANTENK ELECTRONICS CO.,LTD  
[Http://www.antenk.com](http://www.antenk.com)  
 E-mail:sales@antenk.com

TITLE:  
2.2mm Pitch 32P Female Dual Row Housing Series

DRAWING NO: AH2201-F-32-W-04

PRODUCT NO: AH2201-F-32-W-04

MK/标记	DESCRIPTION/修订内容	DATE/日期(M/D/Y)