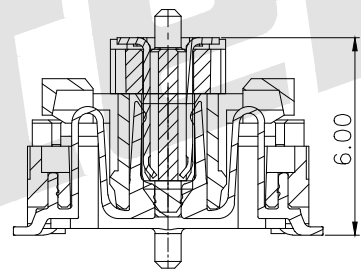
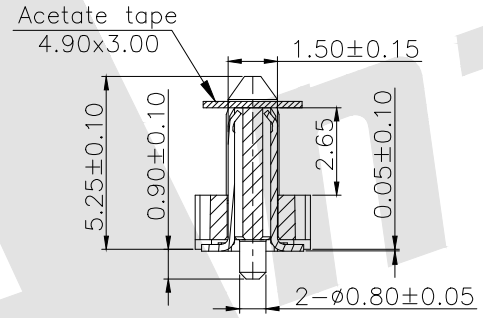
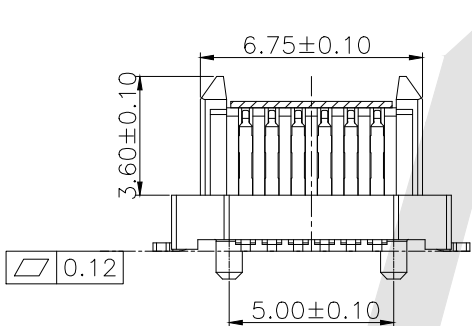


Specifications
 Current Rating:0.5Amp
 Insulation Resistance:500MΩ Min.
 Dielectric Withstanding Voltage:250VAC
 Contact Resistance:100mΩ Max.
 Operating Temperature:-40° C to +105° C
 Materials
 Contact Material:Bronze
 Insulator Material:High Temperature Thermoplastic,
 UL 94V-0 LCP or The Equivalent Material
 All Materials Must Meet GREENCONN Hazardous
 Substances Control Standards.

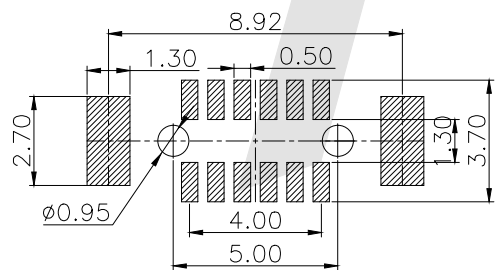


MATING HIGHT

Ordering Code:


BBF0.8 - M - X - X - X - X - 07
 ① ② ③ ④ ⑤ ⑥ ⑦

- ① Series NO:
0.5mm Board to
Board Floating
Connector
- ② M:Male F:Female
- ③ Mating Height:
6.0=6.0mm
- ④ NO. of Contacts:
See Table
For Example
06:06 Poles
- ⑤ Contact Plating
G0: Gold Flash
G1: 3u" Gold
G2: 5u" Gold
G3: 10u" Gold
G4: 15u" Gold
G5: 30u" Gold
SN:Tin
- ⑥ Packing
T:Tube A:Tray
B:Bag U:Tube+CAP
R:tape&Reel
W:tape&Reel+CAP
- ⑦ Serial Number: 07



Recommended P.C.Board Layout (Tolerance:±0.05)

Unless Otherwise specified tolerance
 X. ±0.35 X.XX:±0.20
 X.X:±0.25 X.XXX:±0.15

 ANTENK ELECTRONICS CO.,LTD
 Http://www.antenk.com
 E-mail:sales@antenk.com

SCALE:
As Shown
DRAW
Wu Feng Rong
CHECK
BobYang

UNIT:
mm
DATE
04/15/2021
DATE
04/15/2021

TITLE:
0.8MM Floating Board to Board Male Plug
Connector With Post Mating Height 6.0mm



DRAWING NO: BBF0.5M-XXXX07
 PRODUCT NO: BBF0.5M-XXXX07

REV	DESCRIPTION	DATE