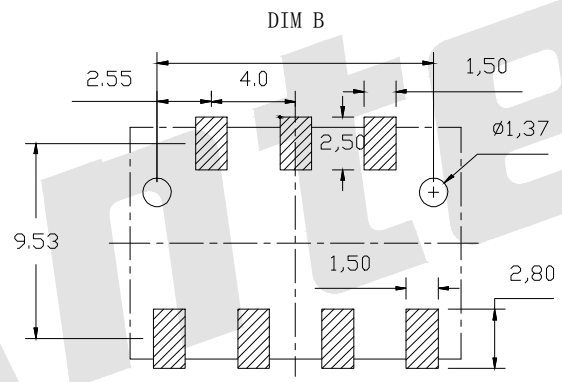
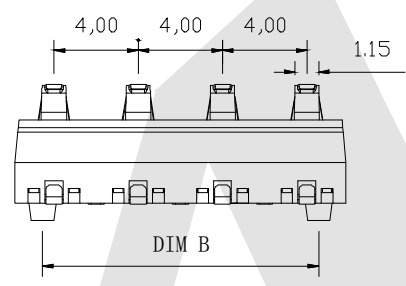
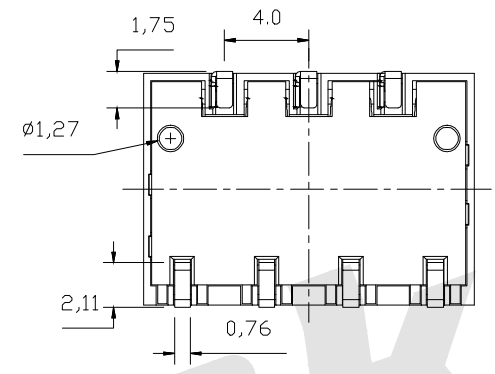
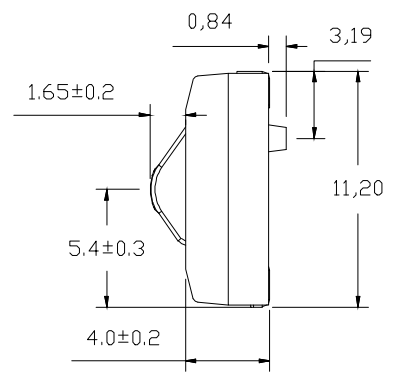
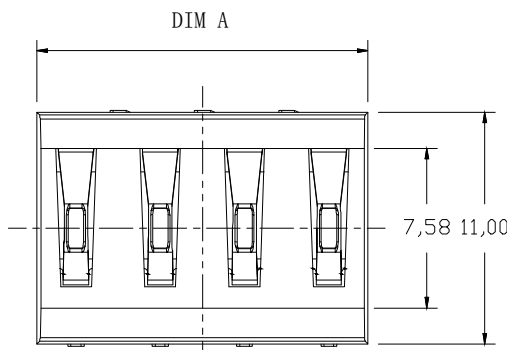
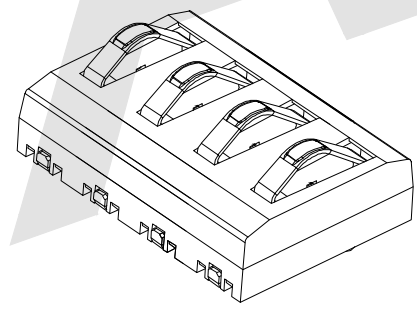


HSF



RECOMMENDED PCB LAYOUT
TOP VIEW (. XX±0.05)



PIN	PART NO.	DIM A	DIM B
2P	ABT31-029DXD	7.7	5.11
3P	ABT31-039DXD	11.7	9.11
4P	ABT31-049DXD	15.7	13.11
5P	ABT31-059DXD	19.7	17.11
6P	ABT31-069DXD	23.7	21.11

SPECIFICATIONS:

- VOLTAGE RATING:30 V
- CURRENT RATING:3.0 A
- WITHSTAND VOLTAGE:500 V
- INSULATION RESISTANCE:500 MEG OHM MIN
- CONTACT RESISTANCE:30 MILL. OHM MAX
- OPERATION TEMPERATURE:-55° C TO +125° C
- PLASTIC MATERIAL:PA9T
- CONTACT POINT MATERIAL:
PHOSPHOR COPPER, GOLD PLATING

Ordering Code:

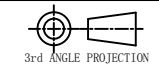
ABT31 - 04 - 9 - D - X - D

- ①
- ②
- ③
- ④
- ⑤
- ⑥

- ① Series No:
- ② No. of Contacts
04:04Pin
- ③ Insulator Material:
P:PBT+30%GF
L:LCP 9:PA9T
- ④ Pitch
D:4.0mm Pitch
- ⑤ Contact Plating:
G0:Gold flash
G1:3u" gold
G2: 5u" gold
G3:10u" gold
G4:15u" gold
G5:30u" gold
- ⑥ Packing:
A:Tray
B:Bag
C:Tape
D:Reel

Unless Otherwise specified tolerance
X. ±0.35 X.XX:±0.20
X.X:±0.25 X.XXX:±0.15

SCALE:
As Shown UNIT:
mm
DRAW
Wu Feng Rong DATE
22/07/2020
CHECK
BobYang DATE
22/07/2020



Antenk ANTENK ELECTRONICS CO.,LTD
Http://www.antenk.com
E-mail:sales@antenk.com

TITLE:
4.0 PITCH 4PIN BATTERY MALE CONNECTOR

DRAWING NO: ABT31-049DXD
PRODUCT NO: ABT31-049DXD

REV	DESCRIPTION	DATE