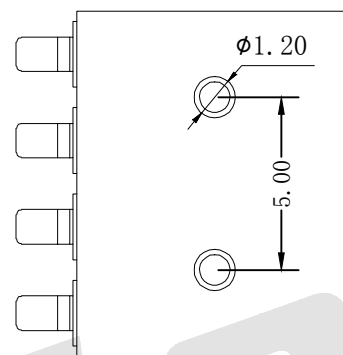
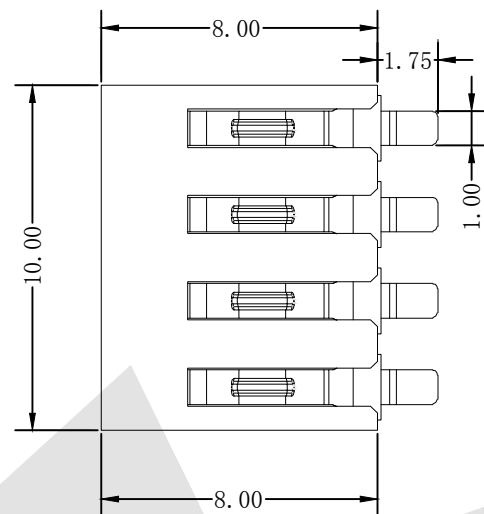
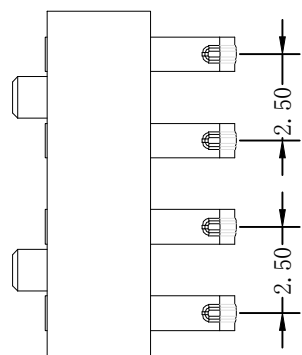


HSF



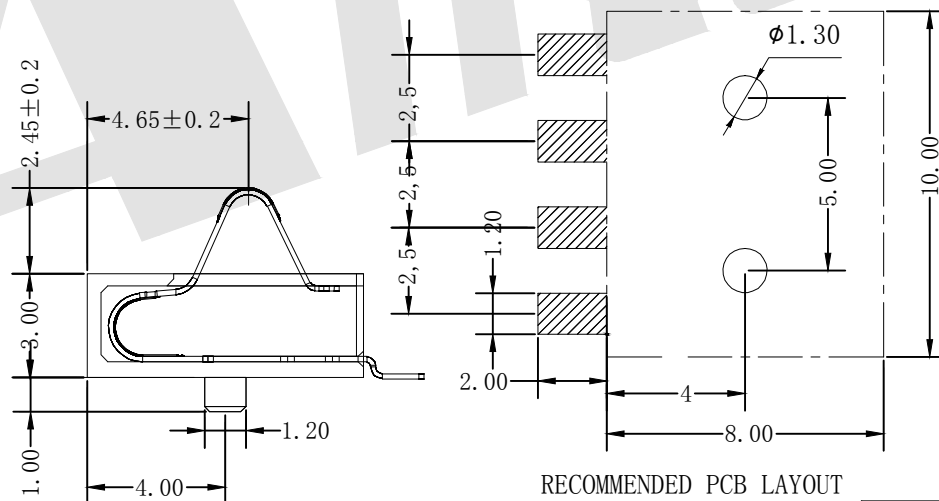
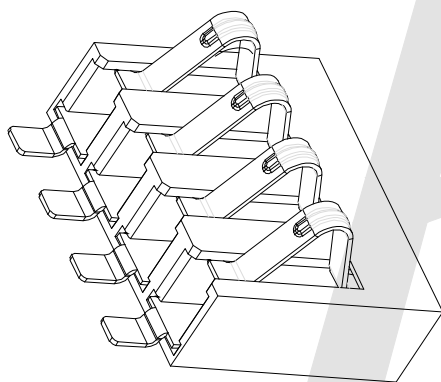
NOTES:

1. Housing: Thermoplastics LCP black
Terminal: Phosphor bronze, T-015MM
Peg: Brass T-0.2MM
2. Finish: Terminal: Gold Plated
Peg: SN Plated
3. Packing: Reel Tape

Ordering Code:

ABT28 - 04 - L - C - X - D
① ② ③ ④ ⑤ ⑥

- | | |
|-----------------------|--------------------|
| ① Series No: | ⑤ Contact Plating: |
| ② No. of Contacts | G0: Gold flash |
| 04: 04Pin | G1: 3u" gold |
| ③ Insulator Material: | G2: 5u" gold |
| P: PBT+30%GF | G3: 10u" gold |
| L: LCP | G4: 15u" gold |
| ④ Pitch | G5: 30u" gold |
| C: 2.5mm Pitch | ⑥ Packing: |
| | A: Tray |
| | B: Bag |
| | C: Tube |
| | D: Tape Reel |



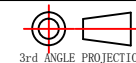
RECOMMENDED PCB LAYOUT
TOP VIEW (. XX±0.05)

Unless Otherwise specified tolerance
X. ±0.35 X.XX: ±0.20
X.X: ±0.25 X.XXX: ±0.15

Antenk ANTENK ELECTRONICS CO., LTD
Http://www.antenk.com
E-mail: sales@antenk.com

SCALE: As Shown	UNIT: mm
DRAW Wu Feng Rong	DATE 30/03/2020
CHECK BobYang	DATE 30/03/2020

TITLE:
4 Circuit Battery Connector 2.5MM Centers H=3.0MM



DRAWING NO: ABT29-04LCXD

PRODUCT NO: ABT29-04LCXD

REV	DESCRIPTION	DATE
	Correct 03pin to 04pin	12/29/2021