

HSF



**ELECTRICAL CHARACTERISTICS:**

Dielectric withstanding Voltage: AC 1000V r.m.s.  
 Insulation Resistance: 500 Megohms Minimum at DC 500V  
 Contact Resistance: 25 Milliohms  
 Operating Temperature: -20°C ~ +85°C

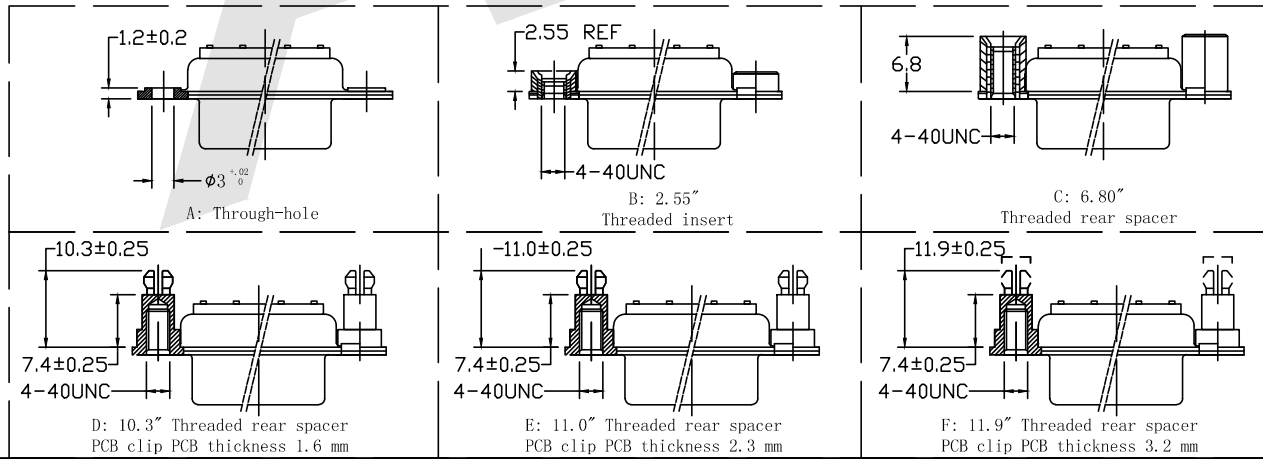
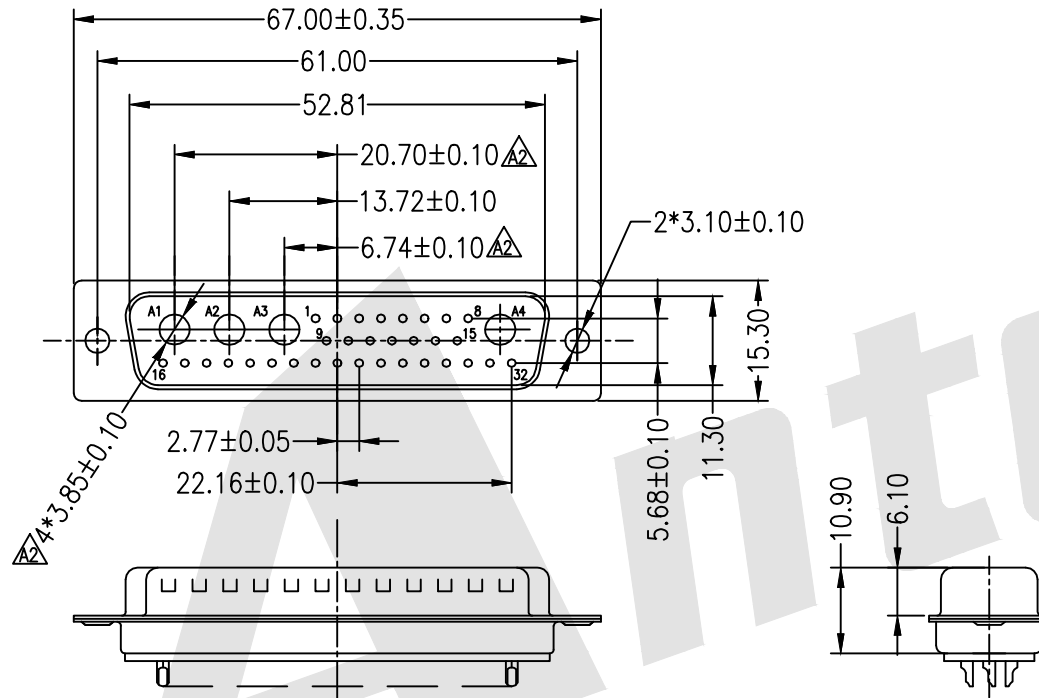
**MATERIALS:**

Insulator: PBT, UL 94V-0 Rated  
 Shell: Cold Roller Steel

**Ordering Code:**

PDC36W4 -M -G0 -B -X  
 ① ② ③ ④ ⑤

- ① Series
- ② Contact Type:  
M: Male F: Female
- ③ Contact NO. :  
G0: Gold flash G1: 3u" Gold  
G2: 5u" Gold G3: 10u" Gold  
G4: 15u" Gold G5: 30u" Gold
- ④ Insulation Color Code:  
B: Black L: Blue  
W: White
- ⑤ Mounting Option:  
A: Through-hole  
B: 2.55" Threaded insert  
C: 6.80" Threaded rear spacer  
D: 10.3" Threaded rear spacer  
PCB clip  
E: 11.0" Threaded rear spacer  
PCB clip  
F: 11.9" Threaded rear spacer  
PCB clip

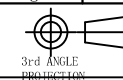


Unless Otherwise specified tolerance  
 X. ±0.35 X.XX: ±0.20  
 X.X: ±0.25 X.XXX: ±0.15

**Antenk** ANTENK ELECTRONICS CO., LTD  
[Http://www.antenk.com](http://www.antenk.com)  
 E-mail: sales@antenk.com

SCALE: As Shown UNIT: mm  
 DRAW: Lv Xun Hua DATE: 25/05/2019  
 CHECK: BobYang DATE: 25/05/2019

TITLE: Coaxial D-SUB 36W4 MALE Solder Cup



DRAWING NO: PDC36W4-MXXX  
 PRODUCT NO: PDC36W4-MXXX

REV	DESCRIPTION	DATE
1		
2		
3		
4		
5		