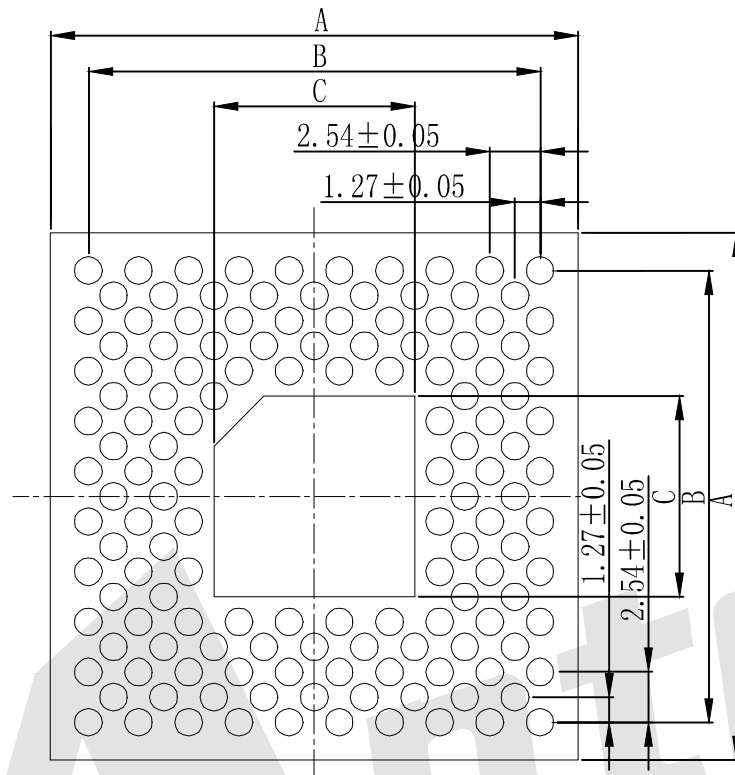
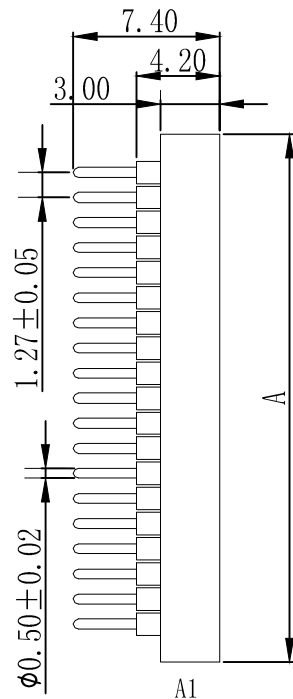


HSF



RoHS



Machined PGA Pin Grid Array Sockets 2.54x1.27mm

- 1. Material:
 - Insulator: PPS UL 94V-0
 - Pin(Out Sleeve): Brass ,Machined CuZn38Pb2
 - Plating(Out Sleeve): Tin Plated: 80U"Ni, 200U"Sn
 - Gold Plated: 80U"Ni, 0.8U"Gold
 - Plating(Cilp): 80U"Ni, Gold or Tin Plated
 - Cilp(Contact 4 Flnger): Beryllium Copper Heat Teated
- 2. Electrical:
 - Current Rating: 3Amps/Contact Max.
 - Contact Resistance: $\leq 4m\Omega$ /Contact
 - Insulation Resistance: $\geq 1000M\Omega$ at V=100V
 - Operating Voltage: 60VAC/DC
- 3. Mechanical:
 - Average Insertion force with steel pin of $\phi 0.432 < 250g$
 - Average withdrawal force with steel pin of $\phi 0.432 < 70g$
 - Mechanical Lize Cycle: min 200
 - Operating Temperature: $-40^{\circ}C$ to $-105^{\circ}C$
 - Soldering Temperature: $+255^{\circ}C$

PGA Sockets With Standard Solder Tails, Length 3.2mm

- ① PGA02 No of Poistions
For Example: 462=462 Positions
- ② Pin Plated
A:No B: Tin 150 U" C: Tin 200 U"
G0: Gold flash G1: 3U" Gold
G2: 5u" Gold G3: 10u" Gold
G4: 15u" Gold G5: 30u" Gold
- ③ Clip Plated
0 No 1 Tin 150 μ "
2 Tin 200 μ " G0: Gold flash
G1: 3U" Gold
G2: 5u" Gold G3: 10u" Gold
G4: 15u" Gold G5: 30u" Gold

- ④ Packing: Tube
A: Tray D: Tape Reel
B: Bag
- ⑤ Insulator Color
A: Black C: White
B: Brown D: Yellow
E: Body F: Special
- ⑥ Pin Length Options
A*A1

Ordering Code:

PGA02 - X - X - X - X - X - X
 (1) (2) (3) (4) (5) (6)

Unless Otherwise specified tolerance	
X. ± 0.35	X.XX: ± 0.20
X.X: ± 0.25	X.XXX: ± 0.15
SCALE: As Shown	UNIT: mm
DRAW Wu Feng Rong	DATE 01/08/2020
CHECK BobYang	DATE 01/08/2020
 3rd ANGLE PROJECTION	

Antenk ANTEK ELECTRONICS CO., LTD
[Http://www.antenk.com](http://www.antenk.com)
 E-mail: sales@antenk.com

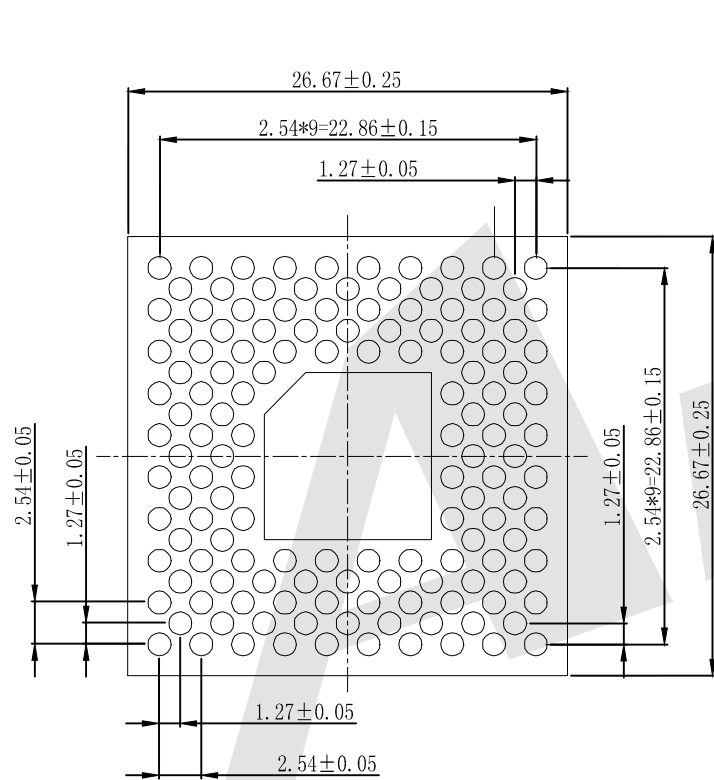
TITLE:	Machined PGA Pin Grid Array Sockets 2.54x1.27mm
DRAWING NO:	PGA02-XXXXXX
PRODUCT NO:	PGA02-XXXXXX

REV	DESCRIPTION	DATE

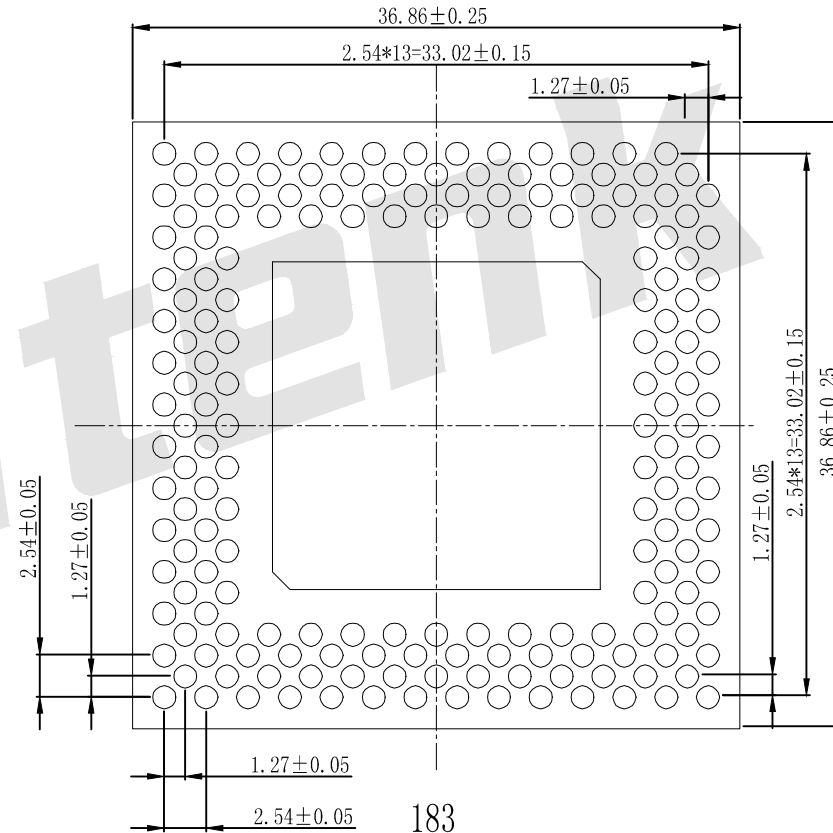
HSF



Machined PGA Sockets Connectors 2.54*1.27mm
2.54mm Arid Footprints Top View



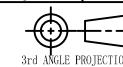
141



183

Unless otherwise specified tolerance
 X. ± 0.35 X.XX: ± 0.20
 X.X: ± 0.25 X.XXX: ± 0.15

SCALE: As Shown	UNIT: mm
DRAW Wu Feng Rong	DATE 01/08/2020
CHECK BobYang	DATE 01/08/2020



Antenk® ANTENK ELECTRONICS CO., LTD
[Http://www.antenk.com](http://www.antenk.com)
 E-mail:sales@antenk.com

TITLE: Machined PGA Pin Grid Array Sockets 2.54x1.27mm

DRAWING NO: PGA02-XXXXXX

PRODUCT NO: PGA02-XXXXXX

REV	DESCRIPTION	DATE
1		
2		

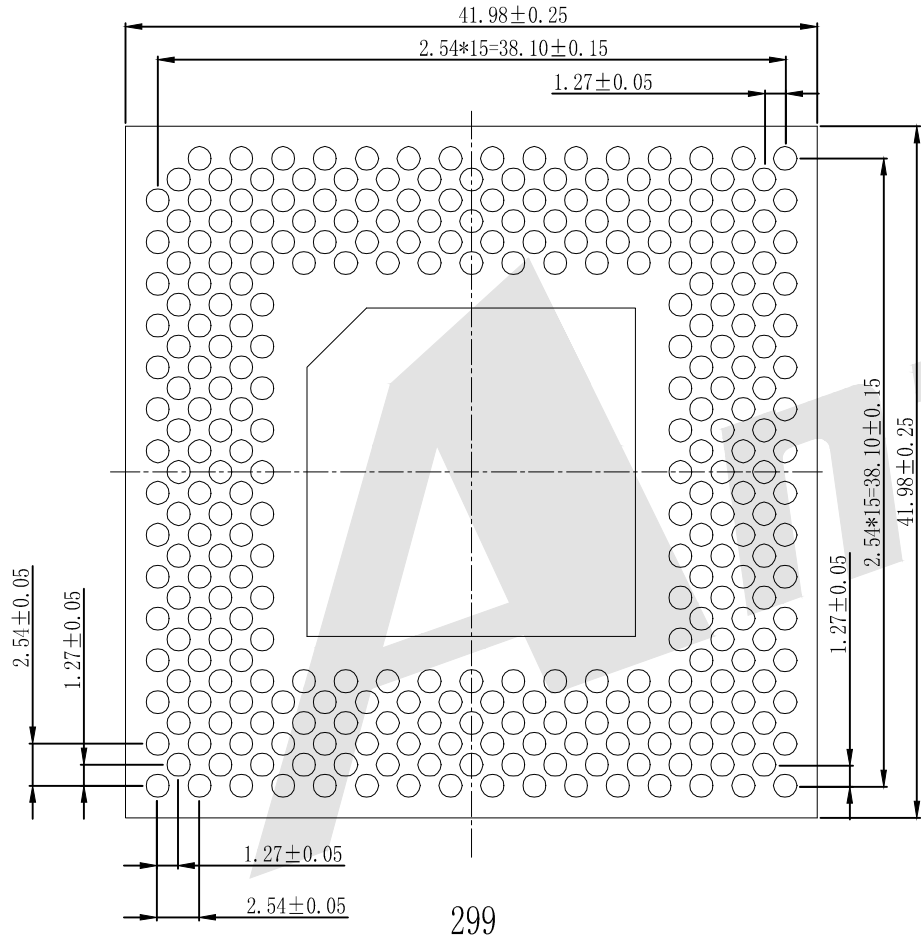
HSF



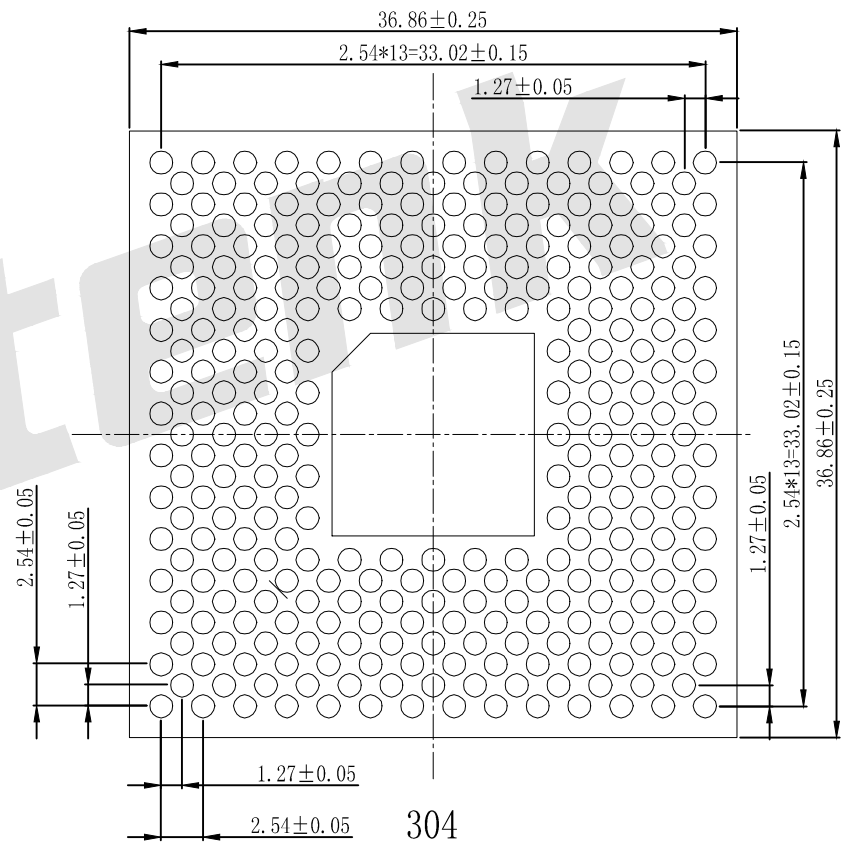
RoHS

Machined PGA Sockets Connectors 2.54*1.27mm

2.54mm Arid Footprints Top View



299



304

Unless otherwise specified tolerance
 X. ± 0.35 X.XX: ± 0.20
 X.X: ± 0.25 X.XXX: ± 0.15

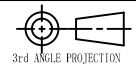
SCALE: As Shown	UNIT: mm
DRAW Wu Feng Rong	DATE 01/08/2020
CHECK BobYang	DATE 01/08/2020

Antenk® ANTENK ELECTRONICS CO., LTD
[Http://www.antenk.com](http://www.antenk.com)
 E-mail:sales@antenk.com

TITLE: Machined PGA Pin Grid Array Sockets 2.54x1.27mm

DRAWING NO: PGA02-XXXXXX

PRODUCT NO: PGA02-XXXXXX



REV	DESCRIPTION	DATE
1		
2		

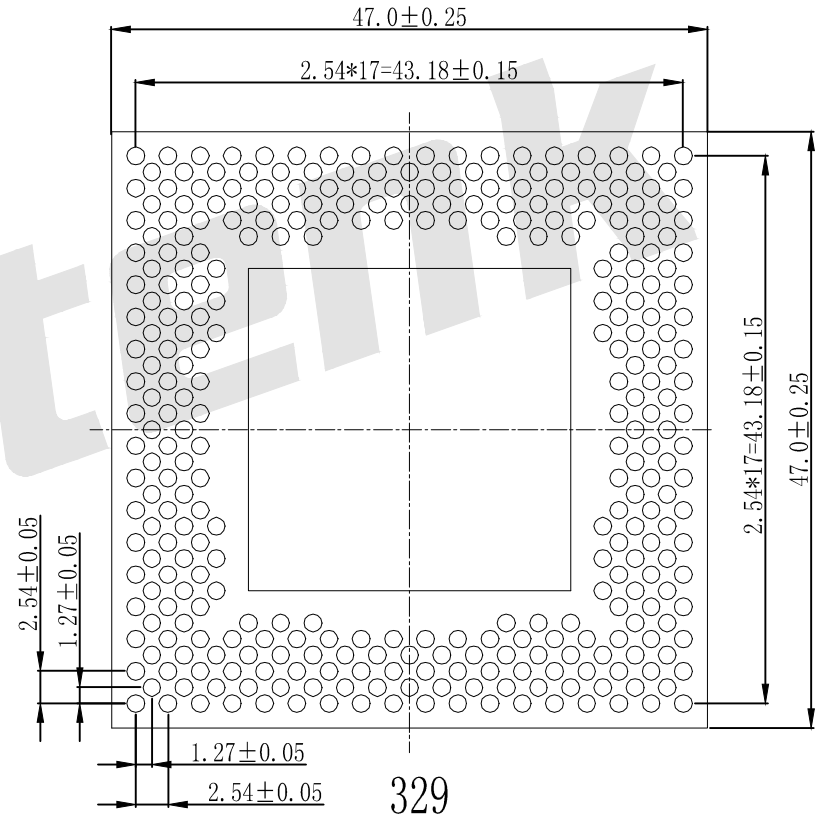
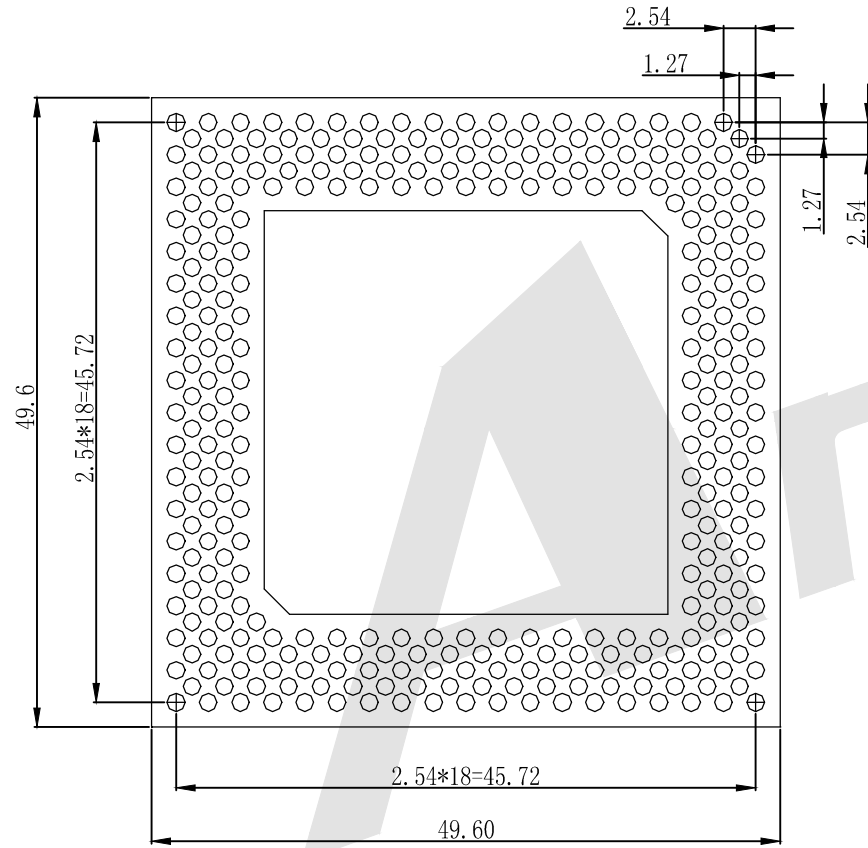
HSF



RoHS

Machined PGA Sockets Connectors 2.54*1.27mm

2.54mm Arid Footprints Top View



321

Unless Otherwise specified tolerance
 X. ±0.35 X.XX: ±0.20
 X.X: ±0.25 X.XXX: ±0.15

SCALE: As Shown	UNIT: mm
DRAW Wu Feng Rong	DATE 01/08/2020
CHECK BobYang	DATE 01/08/2020

Antenk® ANTEK ELECTRONICS CO., LTD
[Http://www.antenk.com](http://www.antenk.com)
 E-mail:sales@antenk.com

TITLE: Machined PGA Pin Grid Array Sockets 2.54x1.27mm

DRAWING NO: PGA02-XXXXXX

PRODUCT NO: PGA02-XXXXXX



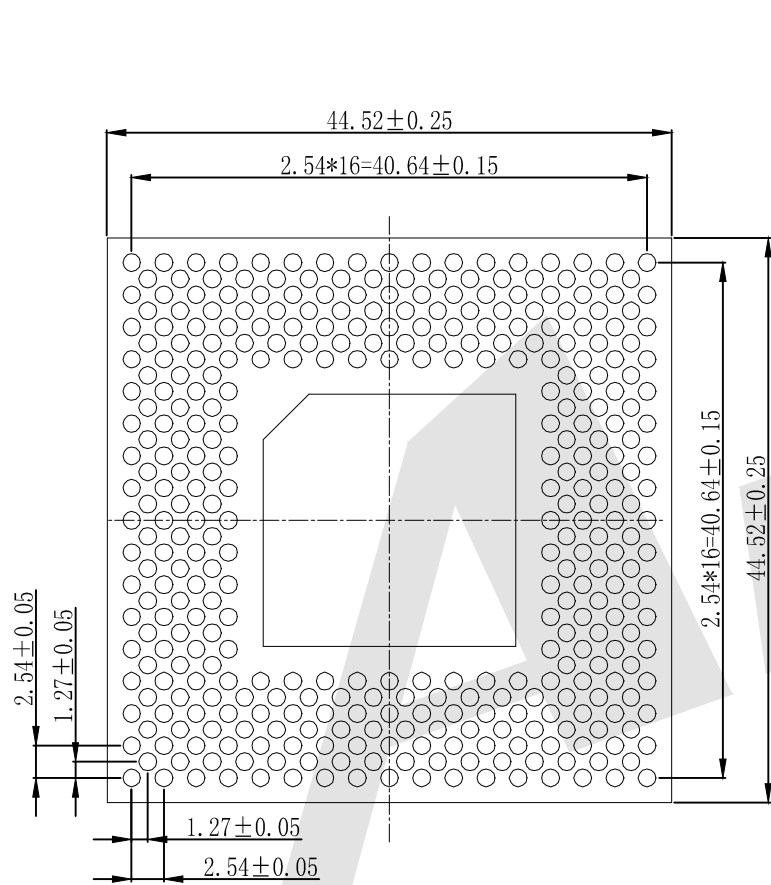
3rd ANGLE PROJECTION

REV	DESCRIPTION	DATE
1		
2		
3		
4		
5		

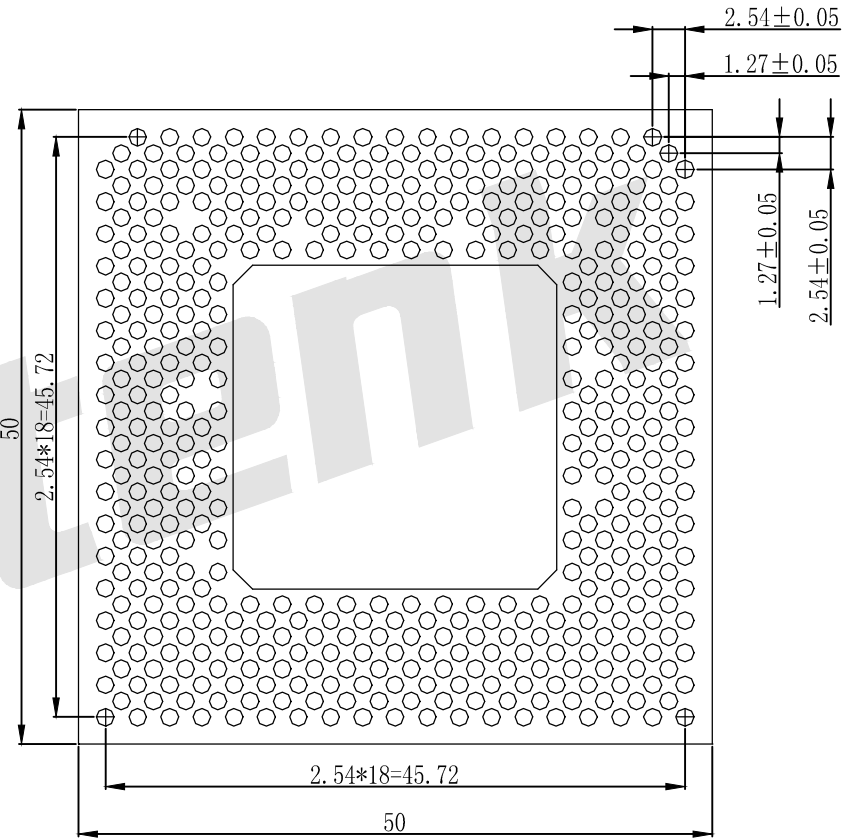
HSF



Machined PGA Sockets Connectors 2.54*1.27mm
2.54mm Arid Footprints Top View



364



370

Unless otherwise specified tolerance
 X. ±0.35 X.XX: ±0.20
 X.X: ±0.25 X.XXX: ±0.15

Antenk® ANTEK ELECTRONICS CO., LTD
[Http://www.antenk.com](http://www.antenk.com)
 E-mail:sales@antenk.com

SCALE: As Shown	UNIT: mm
DRAW Wu Feng Rong	DATE 01/08/2020
CHECK BobYang	DATE 01/08/2020

TITLE: Machined PGA Pin Grid Array Sockets 2.54x1.27mm



DRAWING NO:	PGA02-XXXXXX
PRODUCT NO:	PGA02-XXXXXX

REV	DESCRIPTION	DATE
1		
2		

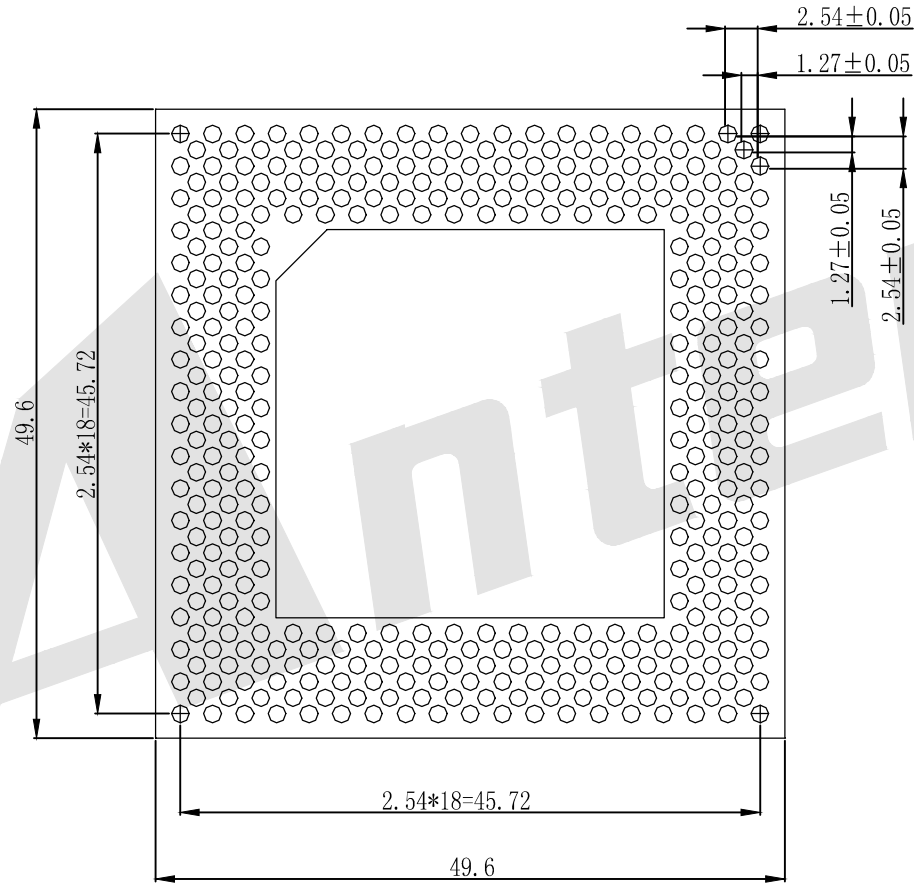
HSF



RoHS

Machined PGA Sockets Connectors 2.54*1.27mm

2.54mm Arid Footprints Top View



462

Unless Otherwise specified tolerance
 X. ±0.35 X.XX: ±0.20
 X.X: ±0.25 X.XXX: ±0.15

Antenk® ANTENK ELECTRONICS CO.,LTD
[Http://www.antenk.com](http://www.antenk.com)
 E-mail:sales@antenk.com

SCALE: As Shown	UNIT: mm
DRAW Wu Feng Rong	DATE 01/08/2020
CHECK BobYang	DATE 01/08/2020

TITLE: Machined PGA Pin Grid Array Sockets 2.54x1.27mm



DRAWING NO: PGA02-XXXXXX
 PRODUCT NO: PGA02-XXXXXX

REV	DESCRIPTION	DATE