

HSF



RoHS

SPECIFICATION

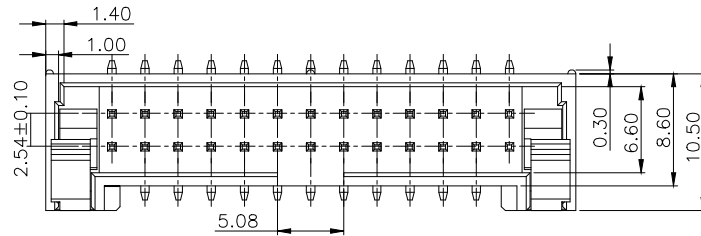
Current Rating:3.0Amp
 Voltage Rating:250V AC
 Insulation Resistance:1000MΩ min
 Contact Resistance:20mΩ max
 Withstand Voltage:600V AC/DC
 Operating Temperature:-40° C to +105° C
 Contact Material:Brass
 Contact Plating:Au or Sn Over Ni
 Latch Material:Zinc Alloy
 Latch plating:Ni
 Insulator Material:PA6T+30%GF UL 94V-0

Ordering Code:

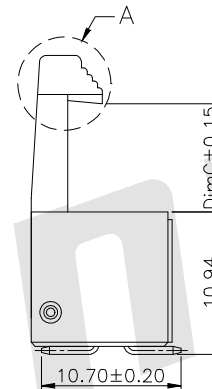
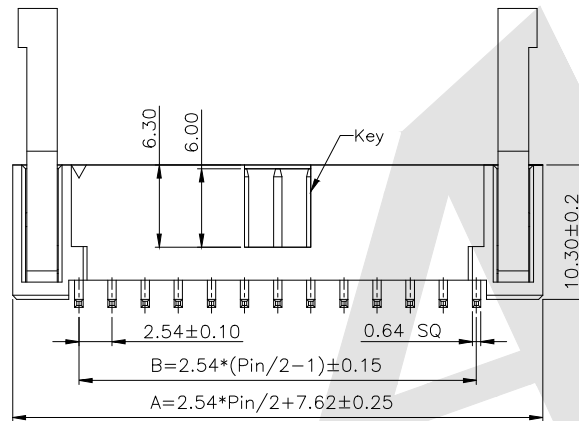
LHDM05 - X - X - X - X - X - X

① ② ③ ④ ⑤ ⑥ ⑦

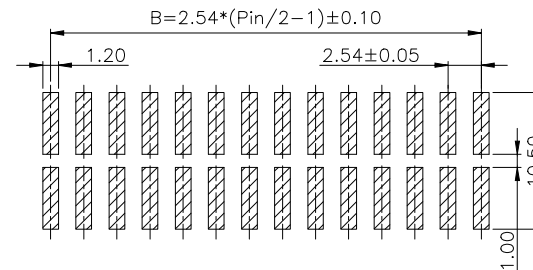
- ① Series No:
 - 06 08 10 12
 - 14 16 18 20
 - 24 26 30 34
 - 40
- ② No. of Contacts
 - G0:Gold flash S0:Selective
 - G1:3u" Gold S1:Selective 3u"
 - G2:5u" Gold S2:Selective 5u"
 - G3:10u" Gold S3:Selective 10u"
 - G4:15u" Gold S4:Selective 15u"
 - G5:30u" Gold S5:Selective 30u"
 - SN:Tin
- ③ Contact Plating:
 - A:Tray
 - B:Bag
 - T:Tube
 - U:Tube+CAP
 - R:Tape&Reel
 - W:Tape&Reel+CAP
- ④ Color Insulator
 - B:Black
 - U:Blue
 - G:Grey
- ⑤ Insulator Material
 - A:PBT
 - B:PA6T
 - C:LCP
 - D:PA46
 - E:PA9T
- ⑥ Packing
 - B:Bag
 - T:Tube
 - U:Tube+CAP
 - R:Tape&Reel
 - W:Tape&Reel+CAP
- ⑦ Dim C Height:
 - S:Short Latch Dim C=4.4MM
 - L:Long Latch Dim C=8.3MM



Detail A
Long Latch



Detail A
Short Latch



Recommended PCB Layout

Dimension :

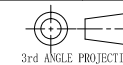
Pos	Dim A	Dim B	Pos	Dim A	Dim B	Pos	Dim A	Dim B
6	15.24	5.08	14	25.40	15.24	26	40.64	30.48
8	17.78	7.62	16	27.94	17.78	30	45.72	35.56
10	20.32	10.16	20	33.02	22.86	34	50.80	40.64
12	22.86	12.70	24	38.10	27.94	40	58.42	48.26

Unless Otherwise specified tolerance
 X. XX: ±0.20
 X. X: ±0.25 X. XXX: ±0.15

Antenk ANTENK ELECTRONICS CO., LTD
 Http://www.antenk.com
 E-mail:sales@antenk.com

SCALE: As Shown UNIT: mm
 DRAW Wu Feng Rong DATE 20/02/2020
 CHECK BobYang DATE 01/05/2016

TITLE:
 LHDM05 2.54mm Ejector Header SMT With Plastic Latch



3rd ANGLE PROJECTION

DRAWING NO: LHDM05-XXXXXX

PRODUCT NO: LHDM05-XXXXXX

REV	DESCRIPTION	DATE