



SPECIFICATION

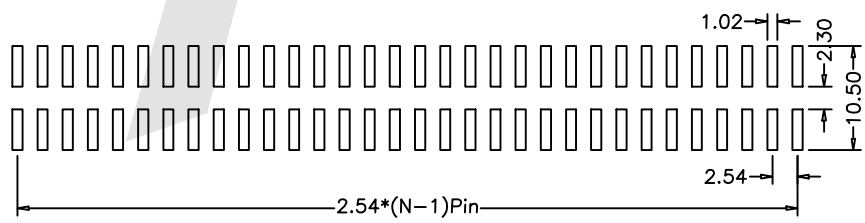
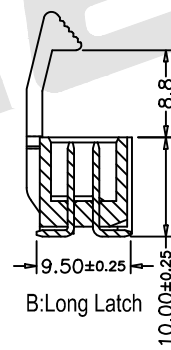
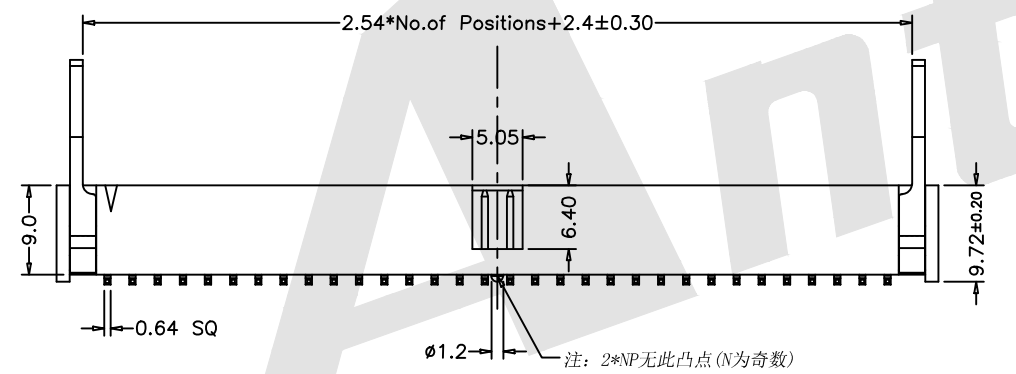
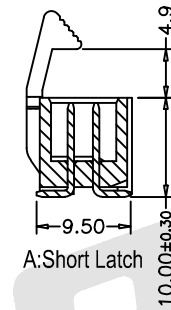
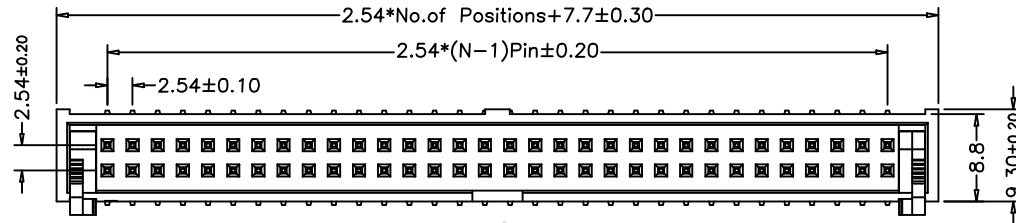
Current Rating: 3.0Amp
 Voltage Rating: 350V
 Insulation Resistance: 1000MΩ min
 Contact Resistance: 20MΩ max
 Withstand Voltage: 1000V AC/DC
 Operating Temperature: -40°C to +105°C
 Contact Material: Brass
 Contact Plating: Au or Sn Over Ni
 Latch plating: Ni
 Insulator Material: PBT or PA6T+30%GF UL 94V-0

Above 26 Poles With "E" Profile

Ordering Code:

LHDM02 - X - X - X - X - X - X
 ① ② ③ ④ ⑤ ⑥ ⑦

- ① Series No:
- ② No. of Contacts
06 08 10 12
14 16 18 20
24 26 30 34
40 50 60 64
- ③ Contact Plating:
G0: Gold flash S0: Selective
G1: 3u" Gold S1: Selective 3u"
G2: 5u" Gold S2: Selective 5u"
G3: 10u" Gold S3: Selective 10u"
G4: 15u" Gold S4: Selective 15u"
G5: 30u" Gold S5: Selective 30u"
SN: Tin
- ④ Color Insulator
B: Black
U: Blue
G: Gray
- ⑤ Insulator Material
A: PBT
B: PA6T
C: LCP
D: PA46
E: PA9T
- ⑥ Packing
A: Tray
B: Bag
T: Tube
U: Tube+CAP
R: Tape&Reel
W: Tape&Reel+CAP
- ⑦ A: Short Latch
B: Long Latch



Recommended PCB Layout (Top Side)
 (PCB BOARD TOLERANCE ±0.05)

Unless otherwise specified tolerance	
X. ±0.35	X.XX: ±0.20
X.X: ±0.25	X.XXX: ±0.15
SCALE: As Shown	UNIT: mm
DRAW YG ZHONG	DATE 11/18/2021
CHECK BobYang	DATE 11/18/2021

Antenk ANTEK ELECTRONICS CO., LTD
[Http://www.antenk.com](http://www.antenk.com)
 E-mail: sales@antenk.com

TITLE:
2.54mm Ejector Header SMT Metal Latch

DRAWING NO: LHDM02-XXXXXX
 PRODUCT NO: LHDM02-XXXXXX

REV	Update according to 3D model	DESCRIPTION	DATE
1			02/03/2022

