

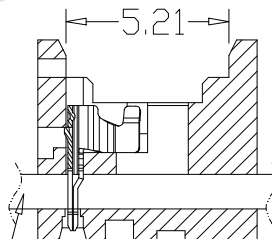
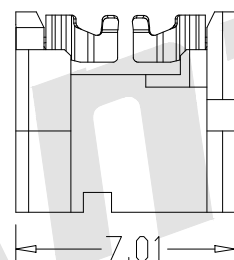
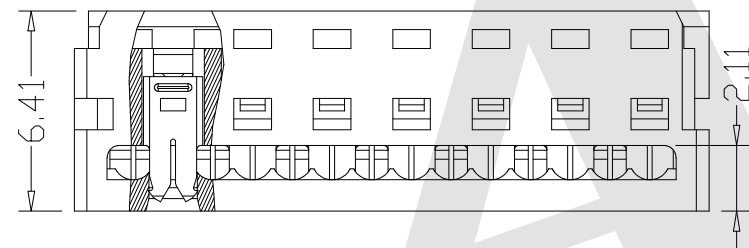
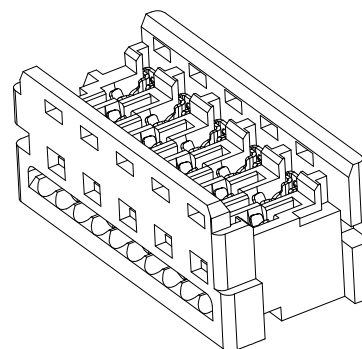
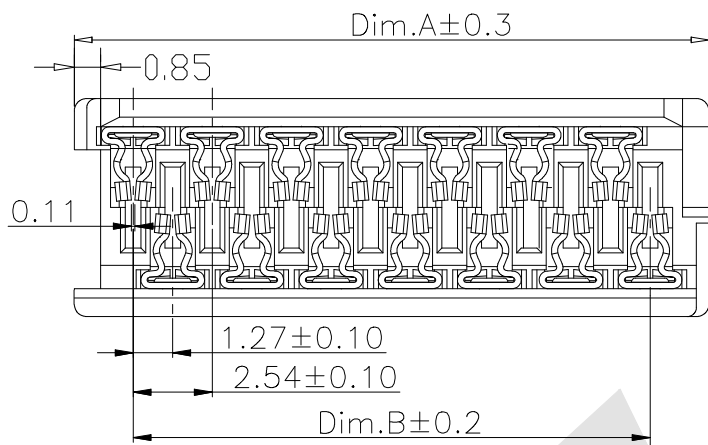
HSF



RoHS

Specifications(特性):

Current Rating(额定电流): 2.4A Max
 Contact Resistance(接触阻抗): 20 milliohms MAX
 Dielectric Withstanding Voltage(耐电压): 500V AC AT Sea Level
 Insulation Resistance(绝缘阻抗): 1000 Megohms MIN
 Operating Temperature:(工作温度): -40° C to +105° C
 Housing(塑胶): Temperature Thermoplastics, PBT UL 94V-0(耐高温塑胶 PBT)
 Contact(端子): Brass(铜) Sn Over Ni(镍底, 全锡)



AWG #26 and #28

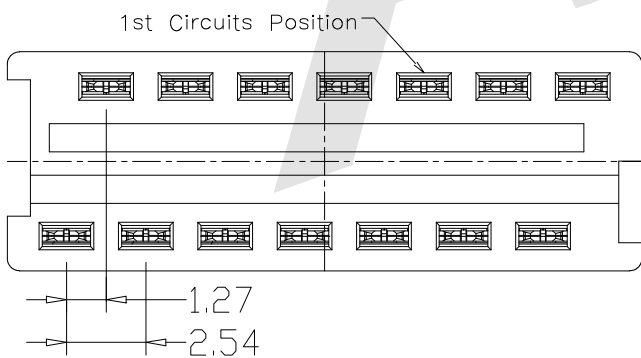
Dimension:

Pos.	Dimension	
	A	B
04	7.59	3.81
06	10.13	6.35
08	12.67	8.89
10	15.21	11.43
12	17.75	13.97
14	20.29	16.51
16	22.83	19.05
18	25.37	21.59
20	27.91	24.13
22	30.45	26.67
24	32.99	29.21
26	35.53	31.75

Ordering Code:

PFCI01 - X - X - X - X
 ① ② ③ ④ ⑤

- ① Series No:
- ② No. of Contacts
 04=4P 06=6P 08=8P
 10=10P 12=12P 14=14P
 16=16P 18=18P 20=20P
 22=22P 24=24P 26=26P
- ③ Contact Plating
 G0: Gold flash S0: Gold flash/Ni
 G1: 3u" Gold S1: 3u" Gold/Ni
 G2: 5u" Gold S2: 5u" Gold/Ni
 G3: 10u" Gold S3: 10u" Gold/Ni
 G4: 15u" Gold S4: 15u" Gold/Ni
 G5: 30u" Gold S5: 30u" Gold/Ni
 SN: Tin
- ④ Color Insulator
 W: White
- ⑤ Packing
 A: Tray
 B: Bag
 C: Tube
 D: Tape Reel

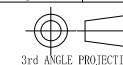


Unless Otherwise specified tolerance
 X. XX: ±0.20
 X. X: ±0.25 X. XXX: ±0.15

Antenk® ANTENK ELECTRONICS CO., LTD
[Http://www.antenk.com](http://www.antenk.com)
 E-mail:sales@antenk.com

SCALE: As Shown UNIT: mm
 DRAW Gong Feng DATE 08/11/2017
 CHECK BobYang DATE 08/11/2017

TITLE:
 1.27mm White IDC Type For Cable



DRAWING NO: PFCI01-XXXX
 PRODUCT NO: PFCI01-XXXX

REV	DESCRIPTION	DATE