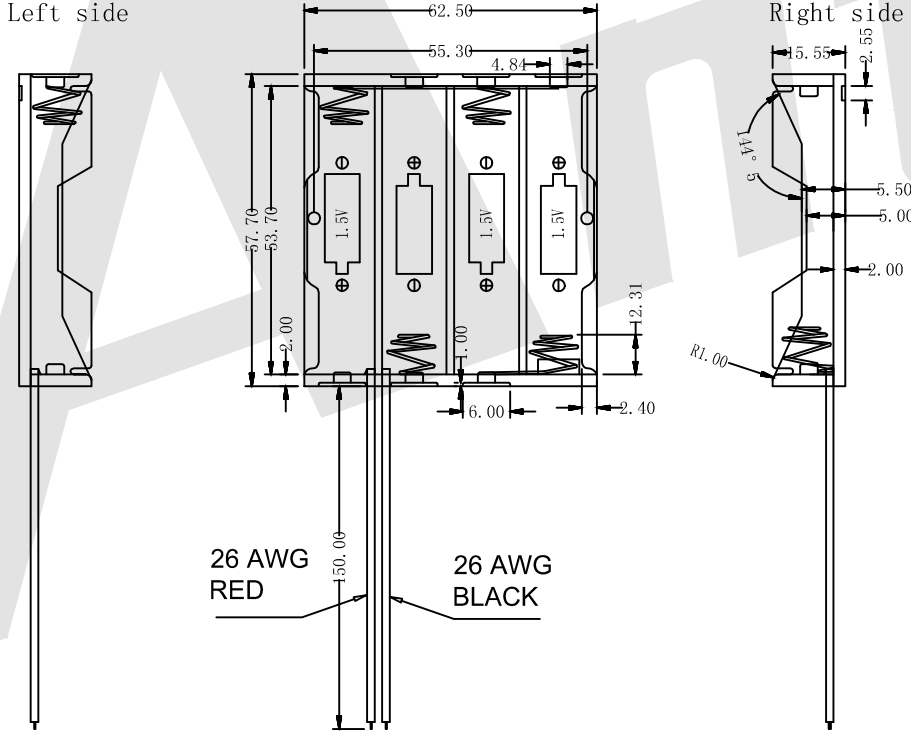
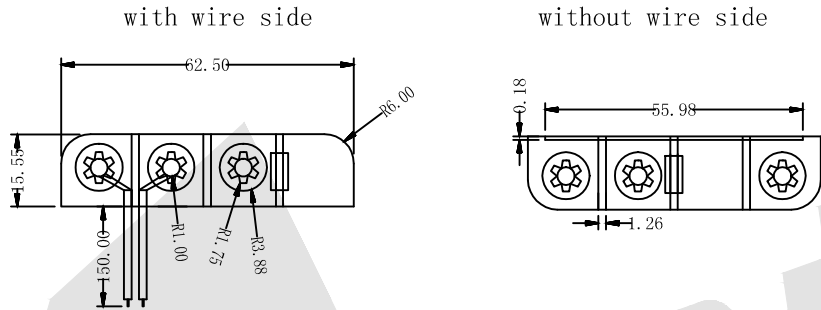


HSF



- 1. HOLDER MAT' L: POLYPROPYLENE
SPRING MAT' L: MUSIC WIRE, (0.60) DIA.
FINISH: NICKEL PLATE
- 2. WIRE SPEC: 1007 26# AWG UL/CSA,
RED/BLACK, stripped with Tin plated

Ordering Code:

BBA - 5 - 4 - 150 - A
 ① ② ③ ④ ⑤

- ① BBA: Battery Holders
- ② BATTERY TYPE
5: AA SIZE
7: AAA SIZE
- ③ BATTERY NUMBERS
1: 1 piece
2: 2 Pieces
3: 3 pieces
4: 4 pieces
- ④ Wire Length
For example:
150=150mm
- ⑤ Packing
A: TRAY

Unless Otherwise specified tolerance
 X. ±0.35 X.XX: ±0.20
 X.X: ±0.25 X.XXX: ±0.15

Antenk® ANTENK ELECTRONICS CO., LTD
[Http://www.antenk.com](http://www.antenk.com)
 E-mail: sales@antenk.com

SCALE: As Shown	UNIT: mm
DRAW Mo Guo Xuan	DATE 03/12/2019
CHECK BobYang	DATE 03/12/2019

TITLE: 4 PIECES AA Battery Holders

DRAWING NO: BBA-5-4-150-A

PRODUCT NO: BBA-5-4-150-A



REV	DESCRIPTION	DATE
1		
2		
3		
4		
5		