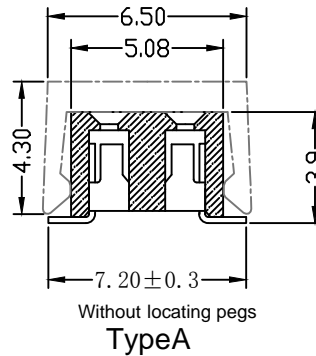
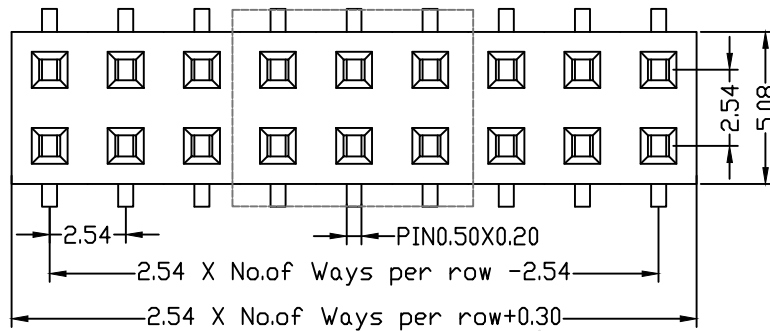


HSF

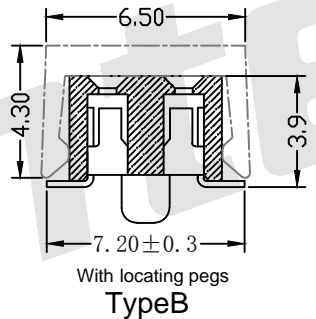
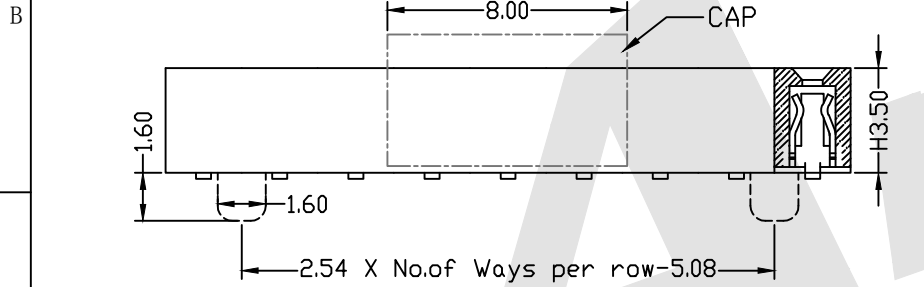


SPECIFICATION

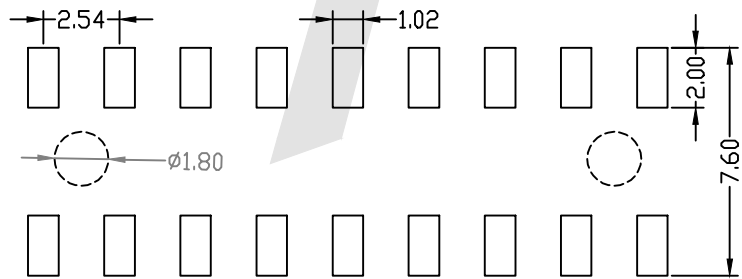
Current Rating: 3.0 Amp
 Insulation Resistance: 1000M ohms min
 Contact Resistance: 20M ohms max
 Dielectric Withstanding: AC500V
 Operating Temperature: -65 °C to +125 °C
 Contact Material: Brass
 Insulator Material: PA6T,UL 94V-0 Black

Ordering Code:

FHEM08 - X - X - D - X - X - X - X
 ① ② ③ ④ ⑤ ⑥ ⑦ ⑧



- ① Series No:
- ② No.of Contacts: 02 To 80
- ③ Contact Plating:
 G0:Gold flash S0:Selective
 G1:3U" Gold S1:Selective 3u"
 G2:5u" Gold S2:Selective 5u"
 G3:10u" Gold S3:Selective 10u"
 G4:15u" Gold S4:Selective 15u"
 G5:30u" Gold S5:Selective 30u"
 SN:Tin
- ④ Connector Type:
 D: Dual
- ⑤ Plastic High:
 H:3.5
 Please mark the desired length in the H
- ⑥ Insulator Material:
 A:PBT
 B:PA6T
 C:LCP
 D:PA46
 E:PA9T
- ⑦ Packing:
 A:Tray
 B:Bag
 T:Tube
 U:Tube+CAP
 R:Tape&Reel
 W:Tape&Reel+CAP
- ⑧ Special Function:
 A:Type A :Without locating pegs
 B:Type B:With locating pegs



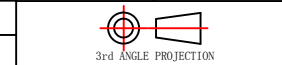
PCB LAYOUT

Unless Otherwise specified tolerance
 X. ±0.35 X.XX: ±0.20
 X.X: ±0.25 X.XXX: ±0.15

Antenk ANTENK ELECTRONICS CO., LTD
 Http://www.antenk.com
 E-mail:sales@antenk.com

SCALE: As Shown UNIT: mm
 DRAW: YG ZHONG DATE: 01/05/2016
 CHECK: BobYang DATE: 01/05/2016

TITLE: 2.54mm Female Header Dual Row SMT Type(W=5.08 H=3.5)



DRAWING NO: FHEM08-XXDXXXXX
 PRODUCT NO: FHEM08-XXDXXXXX

REV	DESCRIPTION	DATE
1		
2		
3		
4		
5		