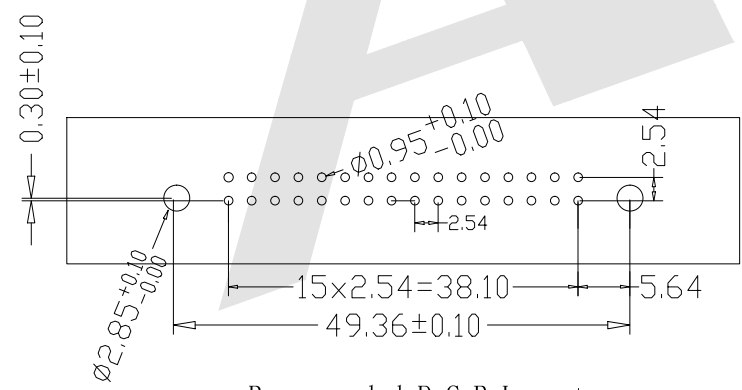
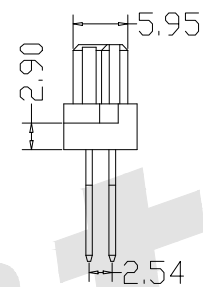
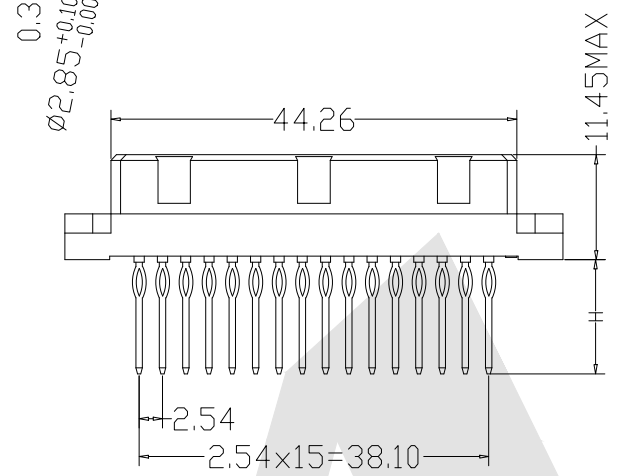
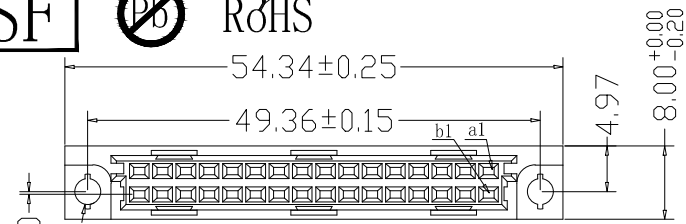
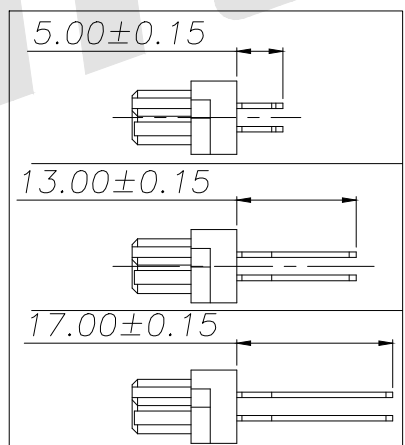


HSF



Recommended P. C. B. Layout



SPECIFICATION

- Current Rating: 2.0Amp
- Insulation Resistance: 100000MΩ min.at DC 100V
- Contact Resistance: 20MΩ max
- Withstand Voltage: AC 1000V For 1 Minute
- Operating Temperature: -55° C to +105° C
- Contact Material: Brass
- Contact Plating: Au or Sn Over Ni
- Insulator Material: PBT+30%GF UL 94V-0
- Insertion Force: 32 pin max.30N
- Withdrawal Force: 0.15N min.per individual contact

Ordering Code:

DFS - XX - X - X - X - 209
 ① ② ③ ④ ⑤ ⑥

- ① Series No:
- ② No. of Contacts
32p 16p
- ③ Termination
I: Straight press-fit tail length H=5.5mm
M: Straight press-fit tail length H=13.0mm
N: Straight press-fit tail length H=17.0mm
- ④ Rows Loaded With Contacts
C: Row a+b
C1: Row a+b(2, 4, 6...)
- ⑤ Contact Plating
G0: Gold flash
S0: Gold flash/Ni
G1: 3u" Gold
S1: 3u" Gold/Ni
G2: 5u" Gold
S2: 5u" Gold/Ni
G3: 10u" Gold
S3: 10u" Gold/Ni
G4: 15u" Gold
S4: 15u" Gold/Ni
G5: 30u" Gold
S5: 30u" Gold/Ni
SN: Tin
- ⑥ Series number
209

Code	Number Of Contacts	Contact Arrangement	Rows With Contacts	Pitch
C	32		a b	2.54
C1	16		a b	5.08

Unless Otherwise specified tolerance
 X. ±0.35 X.XX: ±0.20
 X.X: ±0.25 X.XXX: ±0.15

Antenk ANTENK ELECTRONICS CO., LTD
[Http://www.antenk.com](http://www.antenk.com)
 E-mail:sales@antenk.com

REV	DESCRIPTION	DATE
	Change H=5.0MM TO H=5.5MM	14/09/2020

TITLE: DIN 41612 Vertical Female Type B Compliant Press-Fit Connectors 32 Positions	
DRAWING NO:	DFS-XX-XXX-209
PRODUCT NO:	DFS-XX-XXX-209

