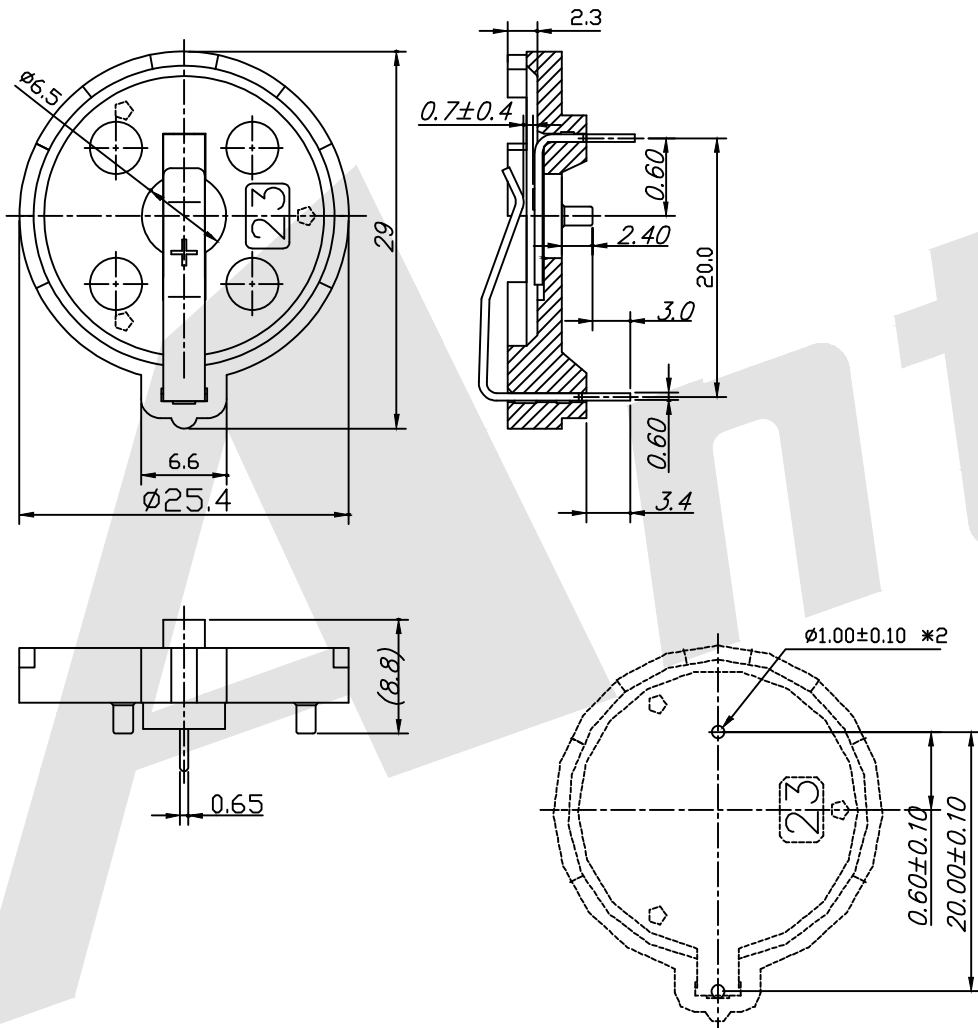


HSF



RECOMMEND PCB LAYOUT  
COMPONENT SIDE

NOTES

1. MATERIALS:  
HOUSING-PBT  
CONTACT-PHOSPHOP BRONZE,
2. FLASH:0.25mm MAX
3. CAMBER:0.13mm MAX. DEFORMATION:NA.  
WARP:0.13mm MAX. TWIST:NA

Order code:

BT — S — SN — A — CR2330A  
① — ② — ③ — ④ — ⑤

- ① BT:Coin Cell Holders
- ② Apperance for the product  
M:SMT TYPE  
S:180 TYPE  
R:90 TYPE
- ③ Contact Plating  
SN: Tin  
G0: Gold flash  
G1: 3U" Gold  
G2: 5U" Gold  
G3: 10U" Gold  
G4: 15U" Gold  
G5: 30U" Gold
- ④ Packing method  
A: Tray packing  
R: Tape & reel packing
- ⑤ Product number  
CR2330A

Unless Otherwise specified tolerance  
X. ±0.35 X.XX: ±0.20  
X.X: ±0.25 X.XXX: ±0.15

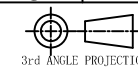
**Antenk**® ANTENK ELECTRONICS CO., LTD  
Http://www.antenk.com  
E-mail:sales@antenk.com

SCALE: As Shown UNIT: mm  
DRAW Mo Guo Xuan DATE 03/15/2019  
CHECK BobYang DATE 03/15/2019

TITLE: Coin Cell Holders For CR2330

DRAWING NO: BT-S-SN-A-CR2330A

PRODUCT NO: BT-S-SN-A-CR2330A



3rd ANGLE PROJECTION

REV	DESCRIPTION	DATE