

HSF



**SPECIFICATIONS:**

Current Rating: 3 Amp  
 Insulation Resistance: 5000M ohms min  
 Contact Resistance: 20M ohms max  
 Dielectric Withstanding: AC500V  
 Operating Temperature: -65° C to +125° C  
 Contact Material: Brass  
 Insulator Material: PA6T, UL 94V-0 Black

Ordering Code:

PHEU06 - 04 - X - S - X - X - X - X  
 ① ② ③ ④ ⑤ ⑥ ⑦ ⑧

① Series No:

② No. of Contacts:  
04 PIN

③ Contact Plating:  
 G0:Gold flash S0:Selective gold  
 G1:3u" Gold S1:Selective 3u"  
 G2:5u" Gold S2:Selective 5u"  
 G3:10u" Gold S3:Selective 10u"  
 G4:15u" Gold S4:Selective 15u"  
 G5:30u" Gold S5:Selective 30u"  
 SN:Tin

④ Connector Type  
S:Single

⑤ Pin Length:  
 A:0360=3.60mm  
 B:0630=6.30mm

Please mark the desired length in the A/B

⑥ Insulator Material:

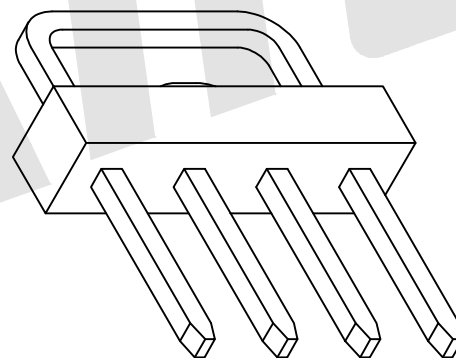
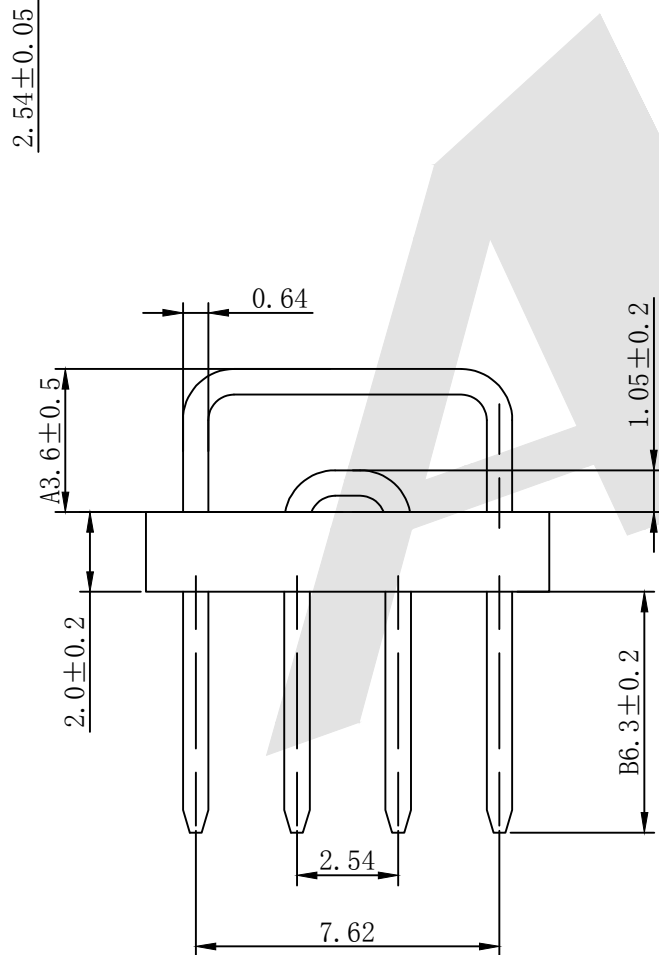
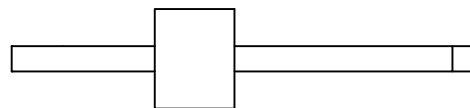
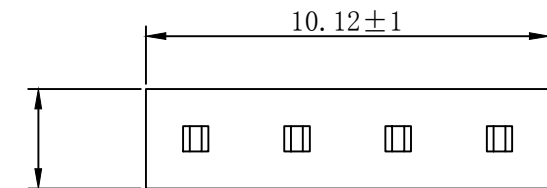
A:PBT  
 B:PA6T  
 C:LCP  
 D:PA46  
 E:PA9T

⑦ Packing:

A:Tray  
 B:Bag  
 T:Tube  
 U:Tube+CAP  
 R:Tape&Reel  
 W:Tape&Reel+CAP

⑧ Plastic High

H1:1.70mm  
 H2:2.54mm  
 H3:2.00mm  
 H4:1.50mm



Standard IE P/N : PHEU06-04-SN-B-A-B

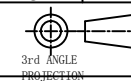
B	Unless Otherwise specified tolerance	
	X. ±0.35	X.XX: ±0.20
6.3	X.X: ±0.25	X.XXX: ±0.15
	SCALE: As Shown	UNIT: mm
Optional	DRAW YG ZHONG	DATE 01/05/2016
	CHECK BobYang	DATE 01/05/2016

**Antenk**® ANTENK ELECTRONICS CO.,LTD  
 Http://www.antenk.com  
 E-mail:sales@antenk.com

TITLE: 2.54mm Pin header Single row U type, 4P

DRAWING NO: PHEU06-04XXXXXX

PRODUCT NO: PHEU06-04XXXXXX



REV	DESCRIPTION	DATE
1		
2		
3		
4		
5		