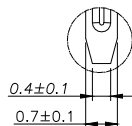
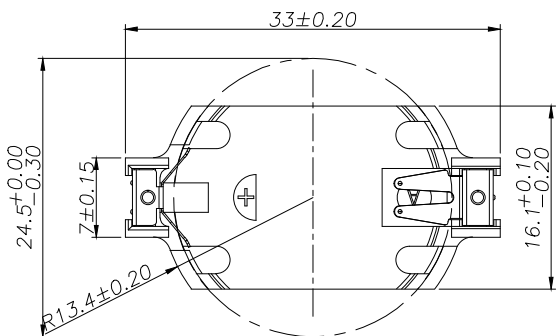


HSF



DETAIL A(SCALA:1)

NOTES:

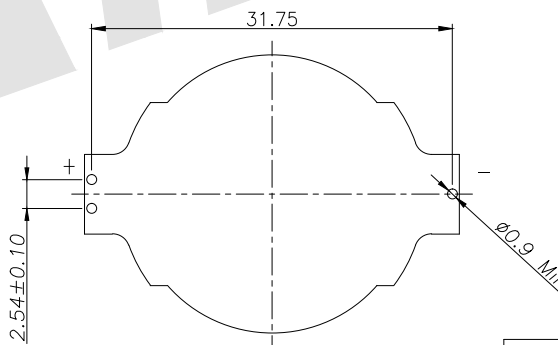
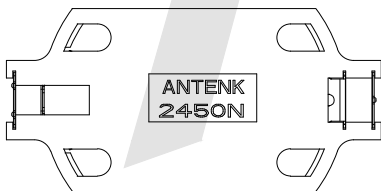
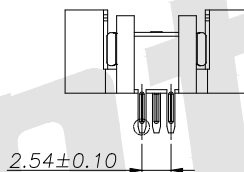
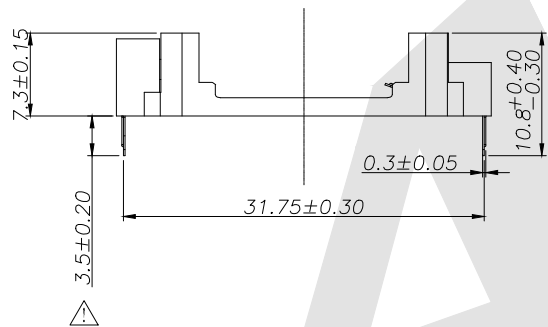
1. Housing: LCP+30% F, Colr:Nature, UL94V-0
2. Contact: Spring Stainless Steel, T=0.15mm
Solder area: 200u" Tin Plated
50u" Nickel Min Under-Overall;
3. Working Temp: -30° C to +70° C

Order code:

BT - R - SN - R - 2450N

① ② ③ ④ ⑤

- ① BT:Coin Cell Holders
- ② Apperance for the product
M:SMT TYPE
S:180 TYPE
R:90 TYPE
- ③ Contact Plating
SN:Tin
G0:Gold flash
G1: 3U" Gold
G2: 5U" Gold
G3:10U" Gold
G4:15U" Gold
G5:30U" Gold
- ④ Packing method
A: Tray packing
R: Tape & reel packing
- ⑤ Product number
2450N



PCB LAYOUT(TOP VIEW)

Unless Otherwise specified tolerance
X. ±0.38 X.XX: ±0.20
X.X: ±0.25 X.XXX: ±0.10

SCALE: As Shown UNIT: mm
DRAW: Jacky DATE: 11/17/2020
CHECK: BobYang DATE: 11/17/2020

Antenk ANTENK ELECTRONICS CO.,LTD
Http://www.antenk.com
E-mail:sales@antenk.com

TITLE:
Coin Cell Holders Right Angle DIP For CR2450

DRAWING NO: BT-R-SN-A-2450N

PRODUCT NO: BT-S-SN-A-2450N



REV	Update	DESCRIPTION	DATE
1			06/24/2021

1

2

3

4

5

6

7

8