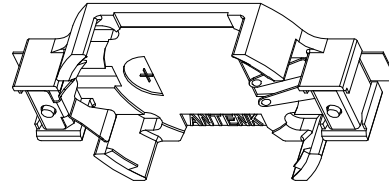
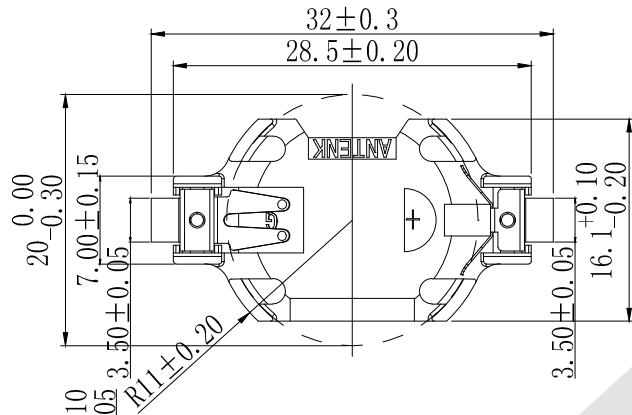


HSF



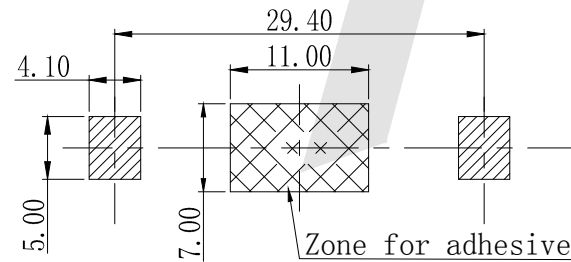
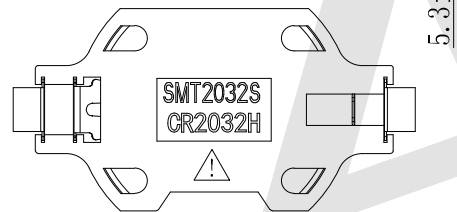
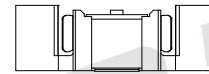
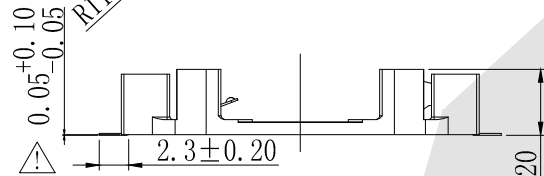
NOTES:

- Housing:  
LCP+30%G. F, Colr:Nature, UL94V-0
- Contact: Spring Stainless Steel, T=0.15mm  
Solder area: 200u" Tin Plated  
50u" Nickel Min
- Working Temp: -30° C to +70° C

Order code:

BT - M - SN - X - SMT2032S  
① ② ③ ④ ⑤

- ① BT:Coin Cell Holders
- ② Apperance for the product  
M:SMT TYPE  
S:180 TYPE  
R:90 TYPE
- ③ Contact Plating  
SN:Tin  
G0:Gold flash  
G1: 3U" Gold  
G2: 5U" Gold  
G3:10U" Gold  
G4:15U" Gold  
G5:30U" Gold
- ④ Packing method  
A: Tray packing  
R: Tape & reel packing
- ⑤ Product number  
SMT2032S



PCB LAYOUT (TOP VIEW)

Unless Otherwise specified tolerance  
X. ±0.38 X.XX: ±0.20  
X.X: ±0.25 X.XXX: ±0.10

**Antenk**® ANTENK ELECTRONICS CO.,LTD  
Http://www.antenk.com  
E-mail:sales@antenk.com

SCALE: As Shown UNIT: mm  
DRAW Jacky DATE 11/17/2020  
CHECK BobYang DATE 11/17/2020

TITLE: Coin Cell Holders Right Angle SMD For 2032



DRAWING NO: BT-M-SN-A-SMT2032S  
PRODUCT NO: BT-M-SN-A-SMT2032S

		Update Remarks	08/05/2021
		Update Flatness	07/07/2021
		Change DIP TO SMD	01/28/2021
REV		DESCRIPTION	DATE