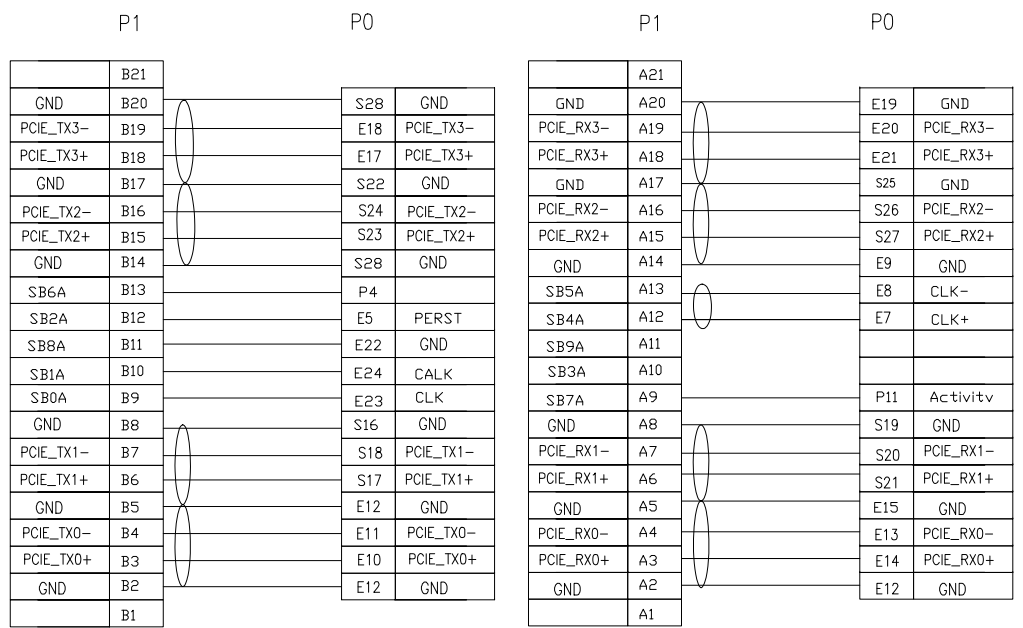


PIN ASSIGNMENT

NOTE:  
 1.100%OPEN&SHORT TESTIGN,  
 2.INSULATION RESISTANCE 10M Ohm MIN DC300V  
 3.CONDUCTIVE RESISTANCE: 2 Ohm MAX



	P0	E3	P1	P2	P3	P4	P5	P6	P7	P8	P9		P12	P13	P14	P15
	P2	P1P2P3		----			P4P5P6		P7P8P9				P10P11P12		P13P14P15	
SYMBOL		3.3V		----			GND		5V				GND		12V	
WIRE AWG		24AWG		----			20AWG		20AWG				24AWG		20AWG	

⑮	CABLE	AQ-3-MS40109	24AWG (RED/BLACK)	A/R	M	
⑭	CABLE	AQ-3-MS40108	20AWG (RED/BLACK/YELLOW)	A/R	M	
⑬	MOLDING	AQ-3-GL145201	45P PVC BLACK	A/R	KG	
⑫	MOLDING	AQ-3-GL100101	LDPE,NATURAL	A/R	KG	
⑪	CONN	AQ-3-MSSIS05	SAS 68P/F PIN#Au 15u BLACK	1	PCS	
⑩	PCB	AQ-3-MS31037	MINISAS 68P PCB, FR4, 88±8 ohm	1	PCS	
⑨	EXPANDD	AQ-3-MS76001	PET BALCK OD: 10mm	A/R	M	
⑧	CONN.	AQ-3-MSSIS02	15PIN SATA/M G/F BLACK	1	PCS	
⑦	ACETATE TAPE	AQ-3-MS77001	W=25±5mm	A/R	M	
⑥	CONN	AQ-3-MSSIC02	DCULINK 4I CONN PIN#Au 15u	1	PCS	
⑤	PCB	AQ-3-MS31022	DCULINK 4I PCB 88±8 ohm	1	PCS	
④	HDDK	AQ-3-MS64002	DCULINK 4I HDDK_UP PC+ABS, BLACK	1	PCS	
③	HDDK	AQ-3-MS64001	DCULINK 4I HDDK_DOWN PC+ABS, BLACK	1	PCS	
②	CABLE	AQ-3-MS20101	30AWG CABLE	A/R	M	
①	CABLE	AQ-3-MS40206	(32AWG*2C+2D)*AL+MYLAR,OD:0.65*1.54MM,85±5 ohm.	A/R	M	
NO.	NAME	P/N	MATERIAL DESCRIPTION	D'TY	UNIT	
A	INITIAL RELEASE			20/03/16		
REV	DESCRIPTION OF CHANGE			DATE		
TOLERANCE		DONGGUAN AIQUN INDUSTRIAL CO., LTD.				
INCHES		MM				
.X	.015	.030				
.XX	.010	.010				
.XXX	.005	.005				
DRAWN BY	TONY CHAN	SCALE	NONE		REV	A
		UNIT	MM			
CHECK BY		SHEET	1/1		CUSTOMER:	
		DATE	22/03/16		DWG No.:AQ1617	
CUSTOMER P/N:		P/N:AQ-1-MS87H1E10500				