

# 承认书

## SPECIFICATION FOR APPROVAL

CUSTOMER: \_\_\_\_\_

DESCRIPTION: Wire Wound Power Inductor

DDY PART NO: ZXNR6045-4R7M

CUSTOMERMODELNO : \_\_\_\_\_

DRAWING		
MADE	CHECKE D	APPROWE D
陈惠	阳燕平	冯朝辉
DATE	2023 年 6 月 10 日	

CUSTOMER APPROVE

**东莞市振鑫电子有限公司**

广东省东莞市中堂镇进步路 6 号

# 东莞市振鑫电子有限公司

CUSTOMER:		REV NO:	A
DESCRIPTION:	Wire Wound Power Inductor	PAGE NO:	PAGE 1 OF 5
PART NO:	ZXNR6045-4R7M	SN:	
CUSTOMER		DATE	2023 年 6 月 10 日

## CATALOG

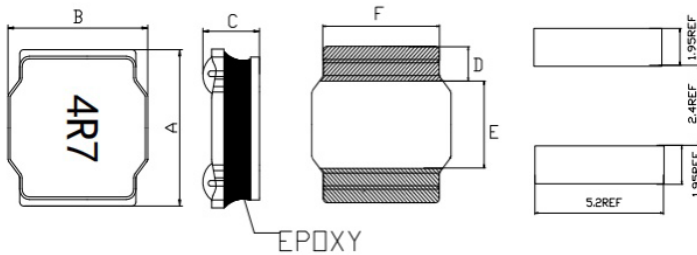
Resume	.....	P2
Shape & Dimension	.....	P3
ELECTRICAL CHARACTERISTICS	.....	P3
Curve	.....	P4
Packing Carrier Tape	.....	P5



# 东莞市振鑫电子有限公司

CUSTOMER:		REV NO:	A
DESCRIPTION:	Wire Wound Power Inductor	PAGE NO:	PAGE 3 OF 5
PART NO:	ZXNR6045-4R7M	SN:	
CUSTOMER NO:		DATE	2023年6月10日

## 1. SHAPE & DIMENSION



**Unit:mm**

CODE	A	B	C	D	E	F
ZXNR6045-4R7M	6.0±0.3	6.0±0.3	4.5MAX	1.65REF	2.7REF	4.9REF

## 2. ELECTRICAL CHARACTERISTICS

Part Number	Inductance	Test Freq	DCR	Self-resonant Frequency	Saturation Current	Heat Rating Current	ERP NO
	(μH)		(mΩ)	(MHz)	(A)	(A)	
ZXNR6045-4R7M	4.7±20%	100kHz, 1V	33	24Min	4.97Max	3.3Max	

### NOTE:

Operating temperature range -40°C~+125°C

Isat for Inductance drop 30% from its value without current

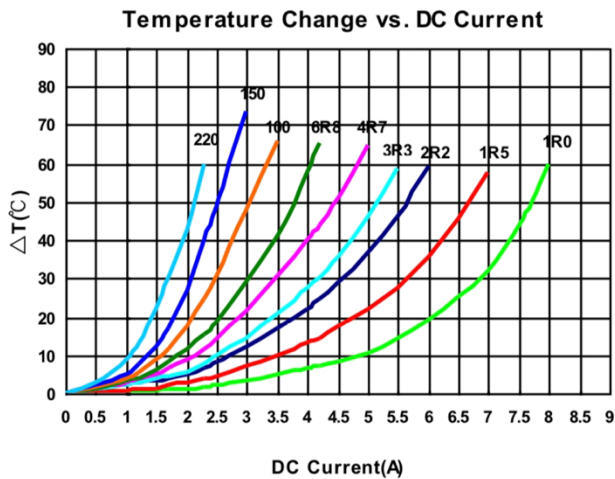
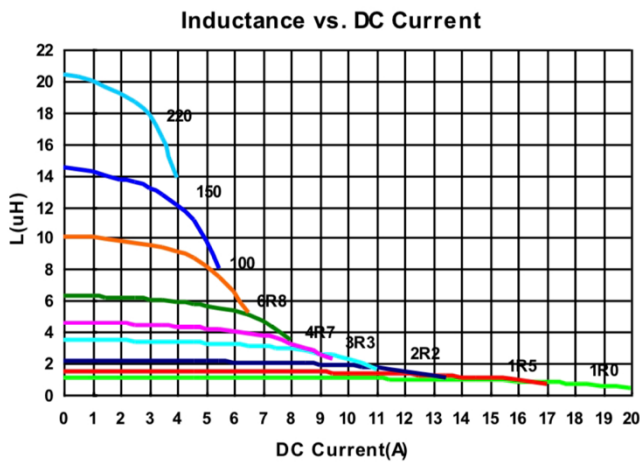
Irms for a 40°C temperature rise from 25°C ambient with current

APPROVED BY	CHECKED BY	DRAFT
冯朝辉	阳燕平	陈惠

# 东莞市振鑫电子有限公司

CUSTOMER:		REV NO:	A
DESCRIPTION:	Wire Wound Power Inductor	PAGE NO:	PAGE 4 OF 5
PART NO:	ZXNR6045-4R7M	SN:	
CUSTOMER NO:		DATE	2023年6月10日

## 4. Curve

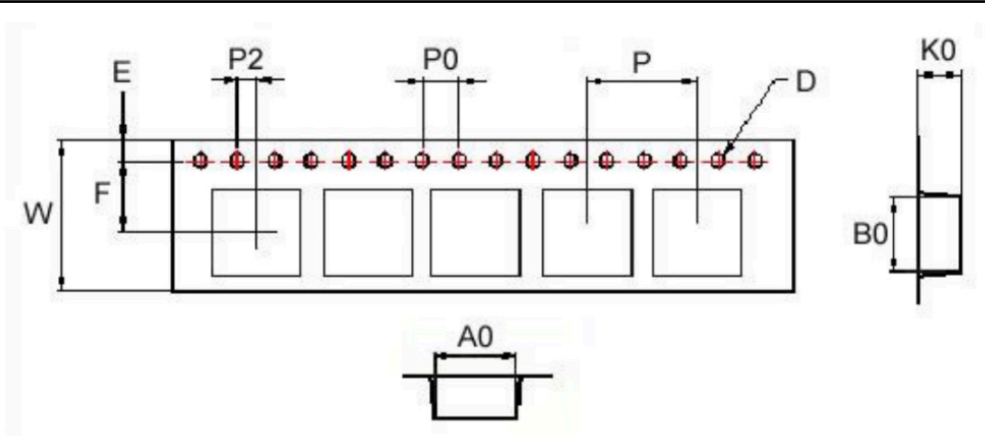


APPROVED BY	CHECKED BY	DRAFT
冯朝辉	阳燕平	陈惠

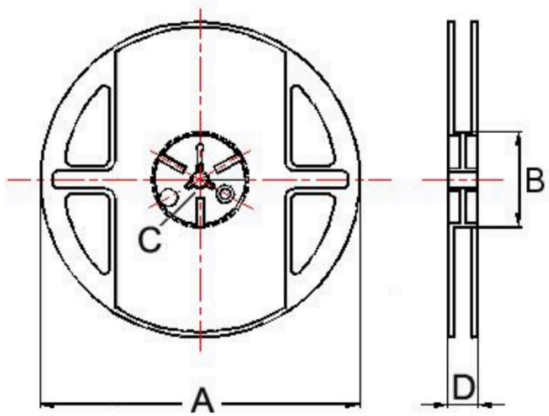
# 东莞市振鑫电子有限公司

CUSTOMER:		REV NO:	A
DESCRIPTION:	Wire Wound Power Inductor	PAGE NO:	PAGE 5 OF 5
PART NO:	ZXNR6045-4R7M	SN:	
CUSTOMER NO:		DATE	2023年6月10日

## 8.PackingCarrier Tape (Unit:mm)



## Reel (Unit:mm)



TYPE	Tape Dimensions										Reel Dimensions					Quantity
	A0	B0	K0	D	E	F	W	P	P0	P2	A	B	C	D	E	PCs/Reel
6045-2R2M	6.2	6.2	4.65	1.55	1.75	5.5	12	8	4	2	330	100	13	13.4	/	1000

APPROVED BY	CHECKED BY	DRAFT
冯朝辉	阳燕平	陈惠