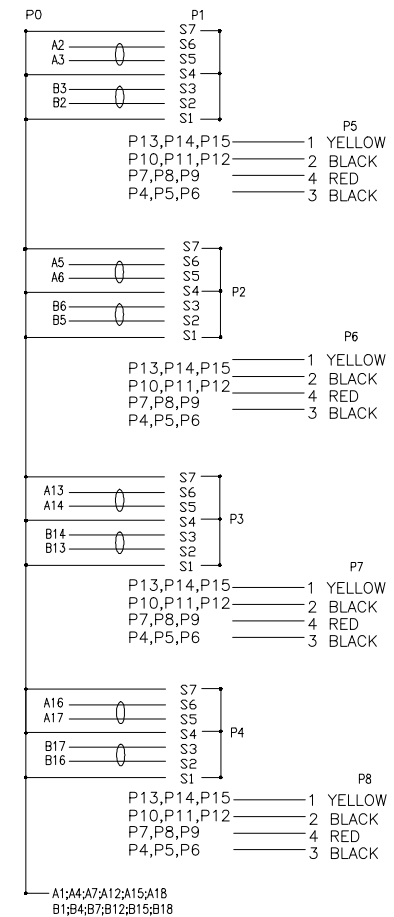


PIN ASSIGNMENT:



NOTE:
 1.100% OPEN&SHORT TESTIGN,
 2.INSULATION RESISTANCE: 10M Ohm MIN DC300V
 3.CONDUCTIVE RESISTANCE: 2 Ohm MAX

| NO. | PART NAME | PART NO. | SPEC DESCRIPTION | QT'Y | UNIT |
|-----|--------------|---------------|---|------|------|
| 11 | CABLE | AQ-3-MS40108 | 20AWG (RED/BLACK/YELLOW) | A/R | mm |
| 10 | LABLE | AQ-5-MS5039 | W6*L24, PRINT 'P1&P2&P3&P4' | 4 | pcs |
| 9 | CONN. | AQ-3-GL51S03 | 4P,NATURAL,PH5.08,PIN:G/F | 4 | pcs |
| 8 | CONN. | AQ-3-GL51S01 | SAS 29P/F,PIN:G/F | 4 | pcs |
| 7 | ACETATE TAPE | AQ-3-MS77001 | W=25±5mm, BLACK | 2 | pcs |
| 6 | MOLDING | AQ-3-GL145201 | 45P PVC BLACK | A/R | 9 |
| 5 | MOLDING | AQ-3-GL100101 | LDPE,NATURAL | A/R | 9 |
| 4 | MOLDING | AQ-3-GL100401 | PBT+30%GF BLACK | A/R | 9 |
| 3 | LATCH | AQ-3-MS21008 | STAINLESS STEEL | 5 | pcs |
| 2 | PCB | AQ-3-MS31019 | MINI SAS 36PIN PCB, PIN:Au 15u", 100±10 ohm | 1 | PCS |
| 1 | CABLE | AQ-3-MS40406 | <<30AWG*2C+2D>>*AL>*2,DD:1.8*5.8MM,RED PVC | A/R | mm |

| A | | INITIAL RELEASE | | 12/10/12 | |
|---------------|-----------------------|-----------------------|----------|-----------|---|
| REV | DESCRIPTION OF CHANGE | | | DATE | |
| TOLERANCE | | | | | |
| INCHES | | | MM | | |
| .X | .015 | | | | |
| .XX | .010 | | | | |
| .XXX | .005 | | | | |
| DRAWN BY | TONY CHAN | SCALE | NONE | REV | A |
| | | UNIT | MM | | |
| CHECK BY | | SHEET | 1/1 | CUSTOMER: | |
| | | DATE | 16/04/10 | DWG NO: | |
| CUSTOMER P/N: | | P/N: AQ-1-MS154P1050R | | | |

DIKWAN® DONGGGUAN AIQUN INDUSTRIAL CO., LTD.