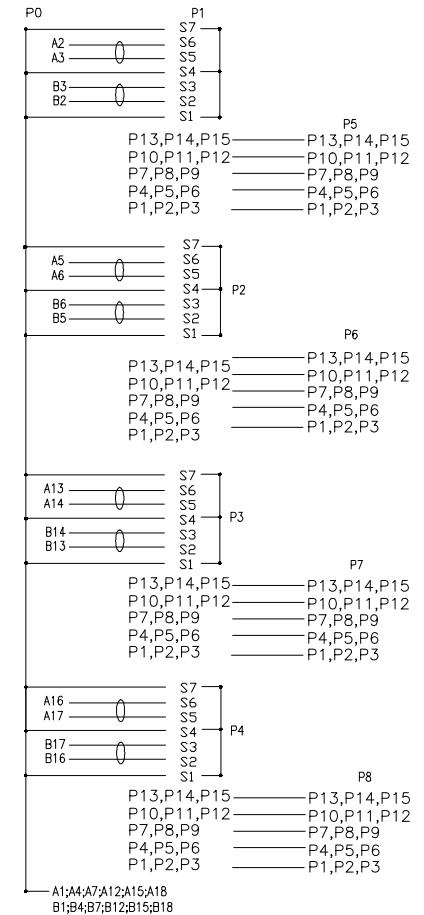


PIN ASSIGNMENT:



NOTE:  
 1.100%OPEN&SHORT TESTIGN,  
 2.INSULATION RESISTANCE: 10M Ohm MIN DC300V  
 3.CONDUCTIVE RESISTANCE: 2 Ohm MAX

| NO. | PART NAME    | PART NO.      | SPEC DESCRIPTION                                 | QTY | UNIT |
|-----|--------------|---------------|--|-----|------|
| 11  | LABLE        | AQ-5-MS5039   | W6*L24. PRINT *P1&P2&P3&P4*                      | 4   | pcs  |
| 10  | CONN.        | AQ-3-GL51S03  | SATA 15P/M,PIN/G/F                               | 4   | pcs  |
| 9   | CONN.        | AQ-3-GL51S01  | SAS 29P/F,PIN/G/F                                | 4   | pcs  |
| 8   | EXPANDD      | AQ-3-MS76001  | PET BALCK DD: 10mm                               | A/R | mm   |
| 7   | ACETATE TAPE | AQ-3-MS77001  | W=25±5mm, BLACK                                  | 2   | pcs  |
| 6   | MOLDING      | AQ-3-GL145201 | 45P PVC BLACK                                    | A/R | g    |
| 5   | MOLDING      | AQ-3-GL100101 | LDPE,NATURAL                                     | A/R | g    |
| 4   | MOLDING      | AQ-3-GL100401 | PBT+30%GF BLACK                                  | A/R | g    |
| 3   | LATCH        | AQ-3-MS21008  | STAINLESS STEEL                                  | 5   | pcs  |
| 2   | PCB          | AQ-3-MS31019  | MINI SAS 36PIN PCB, PINAu 15u", 100±10 ohm       | 1   | PCS  |
| 1   | CABLE        | AQ-3-MS40208  | <30AWG*2C+2d>*AL+MYLAR,DD:0.97*2.17MM,100±5 ohm. | A/R | mm   |

| REV           | DESCRIPTION OF CHANGE | DATE                                |
|---------------|-----------------------|-------------------------------------|
| A             | INITIAL RELEASE       | 12/10/12                            |
| TOLERANCE     |                       |                                     |
|               | INCHES                | MM                                  |
| .X            | .015                  | .30                                 |
| .XX           | .010                  | .10                                 |
| .XXX          | .005                  | .05                                 |
| DRAWN BY      | TONY CHAN             | SCALE NONE                          |
| CHECK BY      |                       | UNIT MM                             |
| CUSTOMER P/N: | P/N: AQ-1-MS154Y10500 | SHEET 1/1                           |
|               |                       | DATE 16/04/10                       |
|               |                       | DWG NO:                             |
|               |                       | TITLE: MINISAS 36P TO 4*29p(2-in-1) |

DIKWAN® DONGGGUAN AIQUN INDUSTRIAL CO., LTD.