

HSF

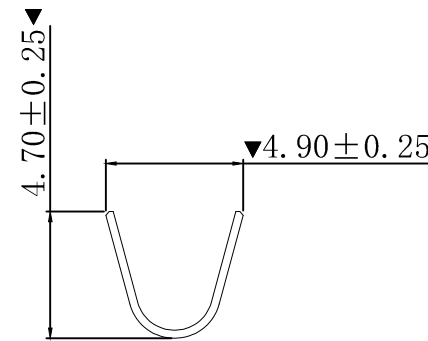
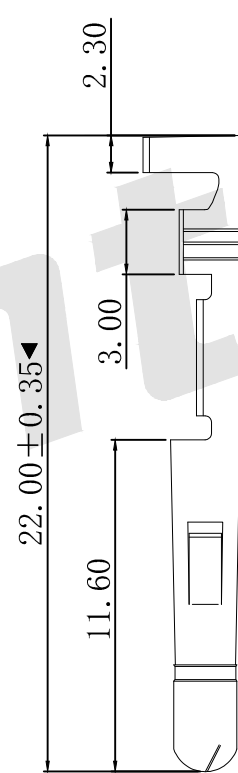
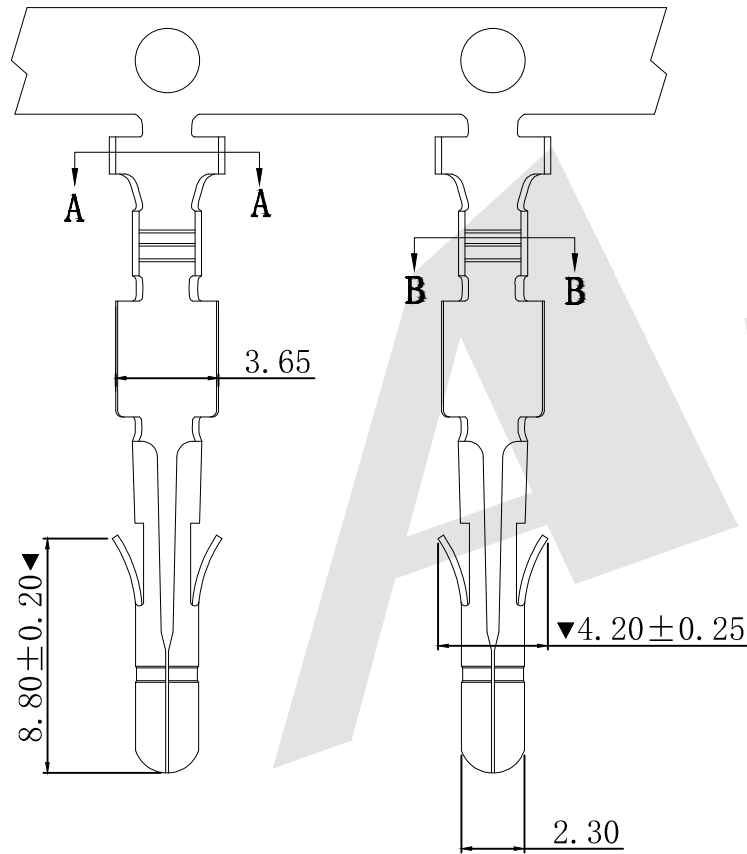


SPECIFICATIONS

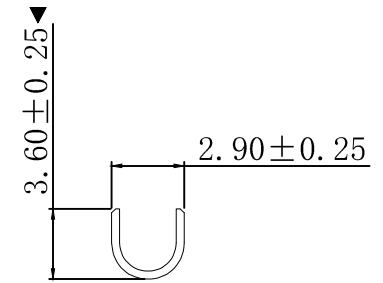
- Voltage rating: 250V AC,DC
- Current rating: 7A, AC, DC
- Withstanding Voltage: 1500V AC/minute
- Insulation resistance: 1000MΩ min
- Temperature range: -25°C~+85°C
- Contact resistance: 20mΩ max

TERMINAL

- Part NO: AT5031BT
- Applicable wire: AWG#14-#20
- Pin Material: Brass
- Finish: Tin-plated
- The Dimension Marked “▼” Must Be Recorded



SEC A-A



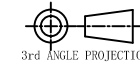
SEC B-B

Unless Otherwise specified tolerance
 X. ±0.35 X.XX: ±0.20
 X.X: ±0.25 X.XXX: ±0.15

Antenk ANTENK ELECTRONICS CO., LTD
[Http://www.antenk.com](http://www.antenk.com)
 E-mail:sales@antenk.com

SCALE: As Shown	UNIT: mm
DRAW Jack Bao	DATE 08/14/2017
CHECK Bob Yang	DATE 08/14/2017

TITLE:5.03mm Male Terminal Connector Series



3rd ANGLE PROJECTION

DRAWING NO: AT5031BT

PRODUCT NO: AT5031BT

REV	DESCRIPTION	DATE