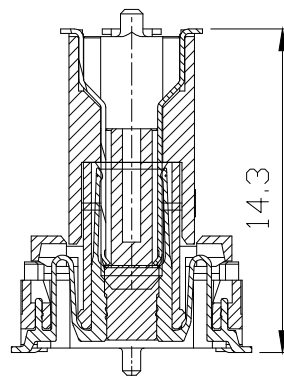
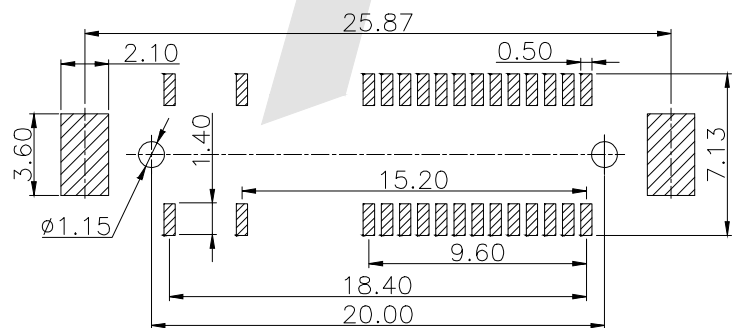
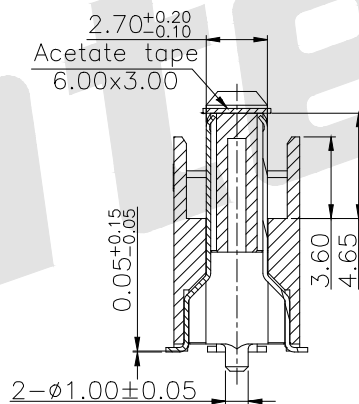
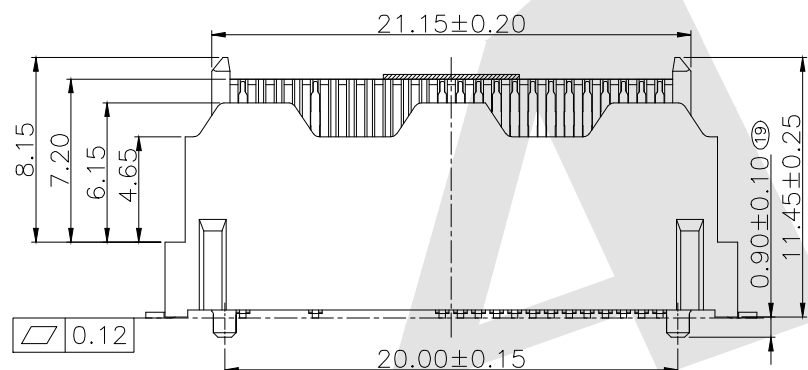
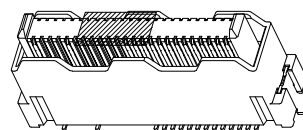
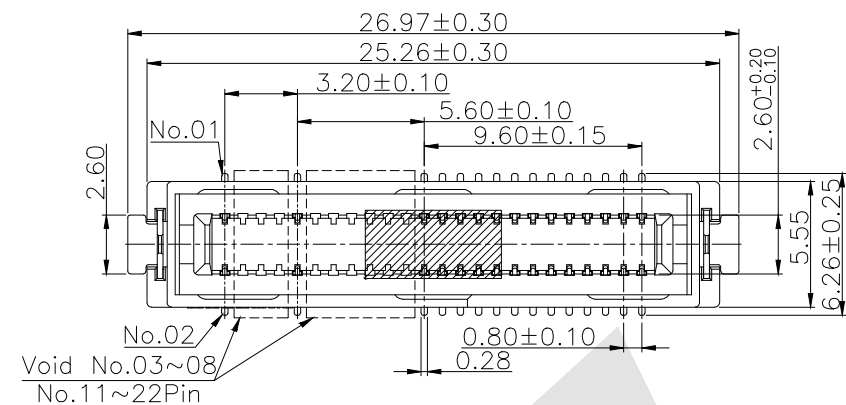


HSF

RoHS



Recommended P.C.Board Layout (Tolerance:±0.05)

Mating Height

Specifications

Current Rating:0.5Amp
 Insulation Resistance:500MΩ Min.
 Dielectric Withstanding Voltage:50VAC
 Contact Resistance:100mΩ Max.
 Operating Temperature:-40° C to +105° C
 Materials
 Contact Material:Bronze
 Insulator Material:High Temperature Thermoplastic,
 UL 94V-0 LCP or The Equivalent Material
 All Materials Must Meet GREENCONN Hazardous
 Substances Control Standards.

Ordering Code:

BBF0.8 - M - X - X - X - X - 04
 ① ② ③ ④ ⑤ ⑥ ⑦

- ① Series NO:
0.5mm Board to Board Connector
- ② M:Male F:Female
- ③ Mating Height:
14.3=14.3mm
- ④ NO. of Contacts:
See Table
For Example
20:20 Poles
- ⑤ Contact Plating
G0: Gold Flash
G1: 3u" Gold
G2: 5u" Gold
G3: 10u" Gold
G4: 15u" Gold
G5: 30u" Gold
SN:Tin
- ⑥ Packing
T:Tube A:Tray
B:Bag U:Tube+CAP
R:tape&Reel
W:tape&Reel+CAP
- ⑦ Serial Number: 04

Unless Otherwise specified tolerance
 X. ±0.35 X.XX: ±0.20
 X.X: ±0.25 X.XXX: ±0.15

Antenk ANTENK ELECTRONICS CO.,LTD
[Http://www.antenk.com](http://www.antenk.com)
 E-mail:sales@antenk.com

SCALE: As Shown	UNIT: mm
DRAW Wu Feng Rong	DATE 04/15/2021
CHECK BobYang	DATE 04/15/2021

TITLE:
0.8MM Floating Board to Board Male Plug Connector With Post Mating Height 14.3MM



DRAWING NO: BBF0.8M-XXXX04

PRODUCT NO: BBF0.8M-XXXX04

REV	DESCRIPTION	DATE