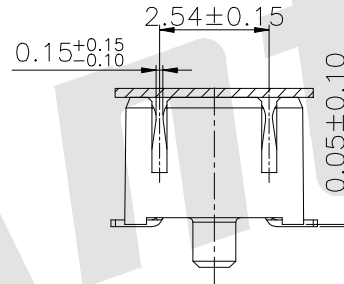
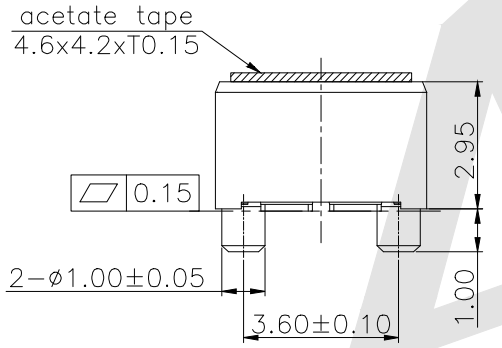


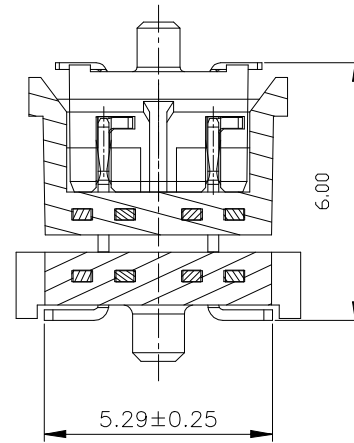
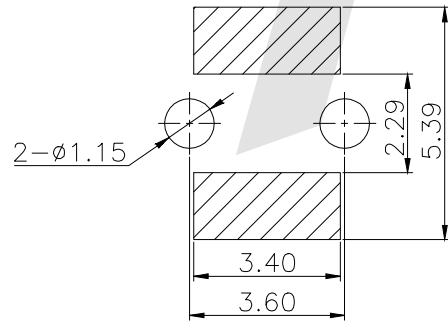
Specifications
 Current Rating:5.0Amp
 Insulation Resistance:1000MΩ Min.
 Dielectric Withstanding Voltage:250VAC
 Contact Resistance:50mΩ Max.
 Operating Temperature:-40° C to +105° C
 Materials
 Contact Material:Bronze
 Insulator Material:High Temperature Thermoplastic,
 UL 94V-0 LCP or The Equivalent Material
 All Materials Must Meet GREENCONN Hazardous
 Substances Control Standards.



Ordering Code:

BBF2.54 - F - X - X - X - X - 08
 ① ② ③ ④ ⑤ ⑥ ⑦

- ① Series NO:
2.54mm Board to
Board Floating
Connector
- ② M:Male F:Female
- ③ Mating Height:
6.0=6.0mm
- ④ NO. of Contacts:
See Table
For Example
02:02 Poles
- ⑤ Contact Plating
G0: Gold Flash
G1: 3u" Gold
G2: 5u" Gold
G3: 10u" Gold
G4: 15u" Gold
G5: 30u" Gold
SN: Tin
- ⑥ Packing
T: Tube A: Tray
B: Bag U: Tube+CAP
R: Tape & Reel
W: Tape & Reel+CAP
- ⑦ Serial Number: 08



Recommended P.C.Board Layout (Tolerance:±0.05)

MATING HIGHT

Unless Otherwise specified tolerance
 X. ±0.35 X.XX: ±0.20
 X.X: ±0.25 X.XXX: ±0.15

Antenk® ANTENK ELECTRONICS CO.,LTD
 Http://www.antenk.com
 E-mail:sales@antenk.com

SCALE: As Shown	UNIT: mm
DRAW Wu Feng Rong	DATE 04/15/2021
CHECK BobYang	DATE 04/15/2021

TITLE:
2.54MM Floating Board to Board Female Socket
Connector With Post Mating Hight 6.0MM



DRAWING NO: BBF2.54F-XXXX08

PRODUCT NO: BBF2.54F-XXXX08

REV	DESCRIPTION	DATE
1		
2		
3		
4		
5		