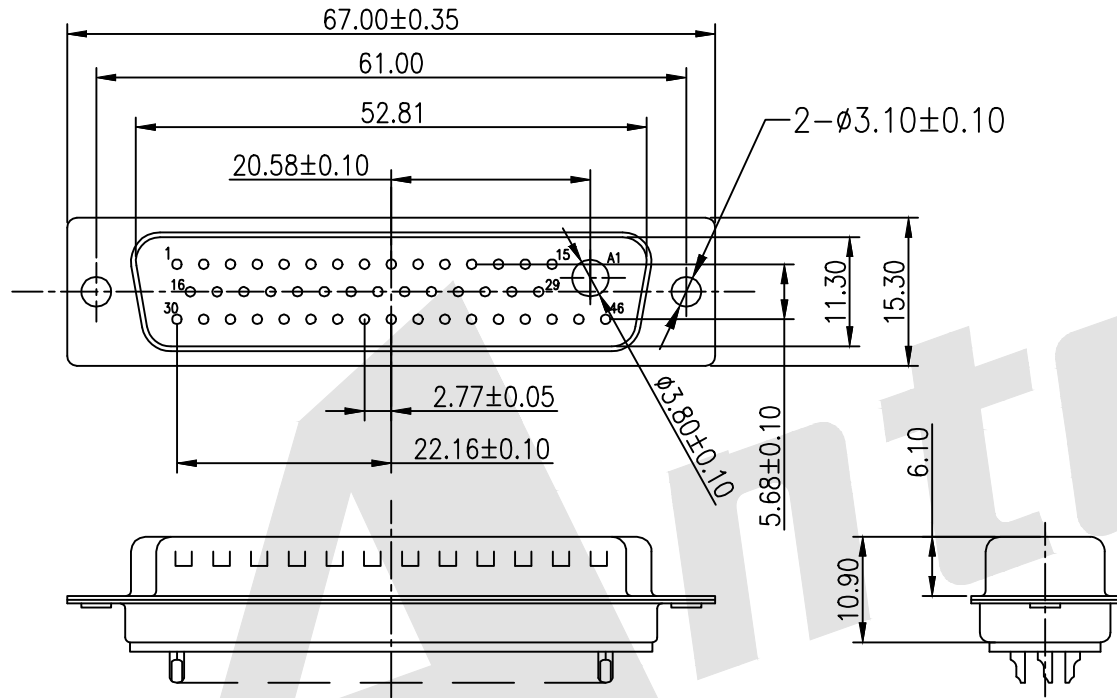


HSF



ELECTRICAL CHARACTERISTICS:

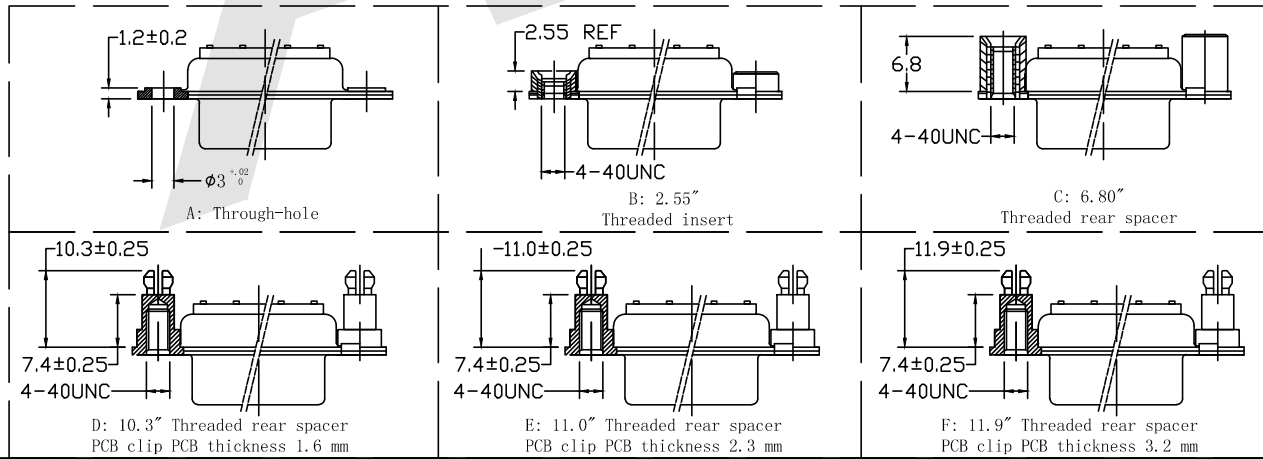
Dielectric withstanding Voltage: AC 1000V r.m.s.
Insulation Resistance: 500 Megohms Minimum at DC 500V
Contact Resistance: 25 Milliohms
Operating Temperature: -20°C~+85°C

MATERIALS:

Insulator: PBT, UL 94V-0 Rated
Shell: Cold Roller Steel
Ordering Code:

PDC47W1	-M	-G0	-B	-X
①	②	③	④	⑤

- ① Series
- ② Contact Type:
M:Male F:Female
- ③ Contact NO. :
G0: Gold flash G1: 3u" Gold
G2: 5u" Gold G3: 10u" Gold
G4: 15u" Gold G5: 30u" Gold
- ④ Insulation Color Code:
B:Black L:Blue
W:White
- ⑤ Mounting Option:
A: Through-hole
B: 2.55" Threaded insert
C: 6.80" Threaded rear spacer
D: 10.3" Threaded rear spacer
PCB clip
E: 11.0" Threaded rear spacer
PCB clip
F: 11.9" Threaded rear spacer
PCB clip

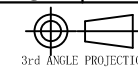


Unless Otherwise specified tolerance
X. ±0.35 X.XX: ±0.20
X.X: ±0.25 X.XXX: ±0.15

Antenk® ANTENK ELECTRONICS CO., LTD
Http://www.antenk.com
E-mail:sales@antenk.com

SCALE: As Shown UNIT: mm
DRAW Lv Xun Hua DATE 25/05/2018
CHECK BobYang DATE 25/05/2018

TITLE: Coaxial D-SUB 47W1 MALE Solder Cup



DRAWING NO: PDC47W1-MXXX
PRODUCT NO: PDC47W1-MXXX

REV	DESCRIPTION	DATE
1		
2		