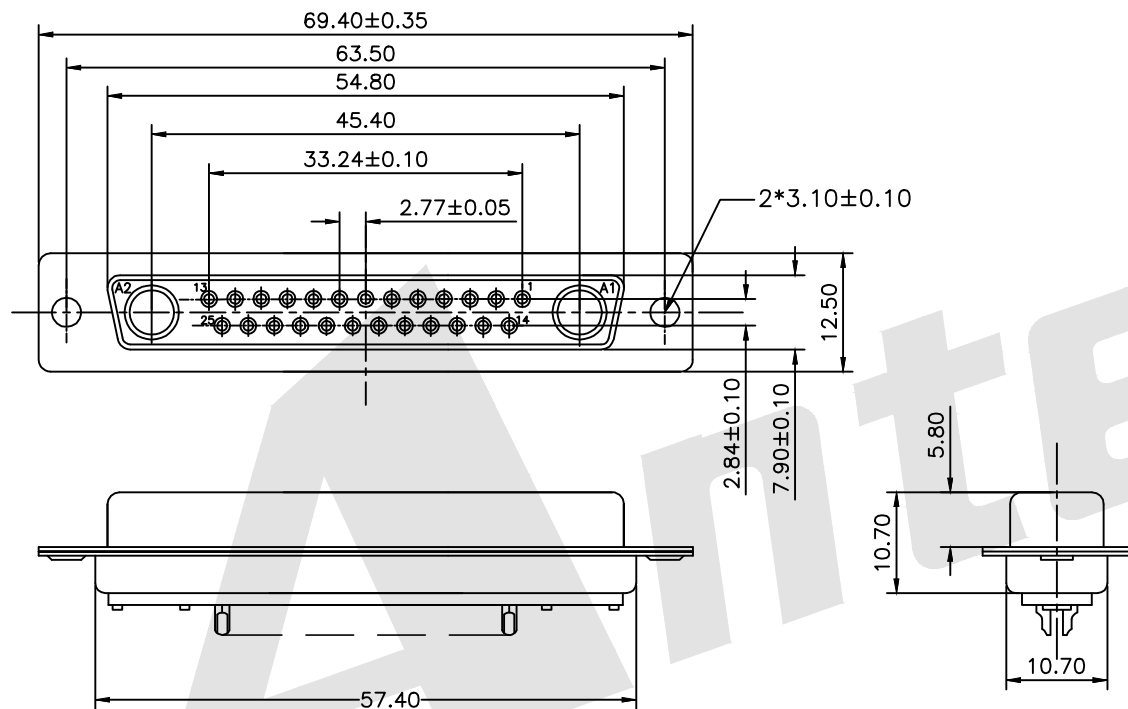


HSF



**ELECTRICAL CHARACTERISTICS:**

Dielectric withstanding Voltage: AC 1000V r. m. s.  
Insulation Resistance: 500 Megohms Minimum at DC 500V  
Contact Resistance: 25 Milliohms  
Operating Temperature: -20°C~+85°C

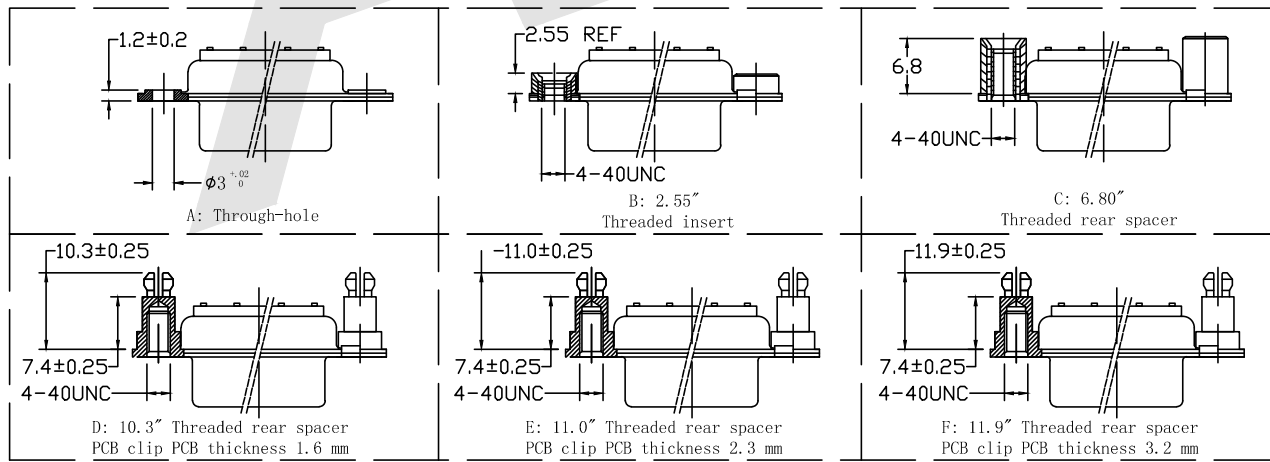
**MATERIALS:**

Insulator: PBT, UL 94V-0 Rated  
Shell: Cold Roller Steel

Ordering Code:

PDC27W2	-F	-G0	-B	-X
①	②	③	④	⑤

- ① Series
- ② Contact Type:  
M:Male F:Female
- ③ Contact NO. :  
G0: Gold flash G1: 3u" Gold  
G2: 5u" Gold G3: 10u" Gold  
G4: 15u" Gold G5: 30u" Gold
- ④ Insulation Color Code:  
B:Black L:Blue  
W:White
- ⑤ Mounting Option:  
A: Through-hole  
B: 2.55" Threaded insert  
C: 6.80" Threaded rear spacer  
D: 10.3" Threaded rear spacer  
PCB clip  
E: 11.0" Threaded rear spacer  
PCB clip  
F: 11.9" Threaded rear spacer  
PCB clip



Unless Otherwise specified tolerance  
X. ±0.35 X.XX: ±0.20  
X.X: ±0.25 X.XXX: ±0.15

**Antenk**® ANTENK ELECTRONICS CO., LTD  
Http://www.antenk.com  
E-mail:sales@antenk.com

SCALE: As Shown	UNIT: mm
DRAW Lv Xun Hua	DATE 25/05/2019
CHECK BobYang	DATE 25/05/2019

TITLE:  
Coaxial D-SUB 27W2 FEMALE Solder Cup



DRAWING NO: PDC27W2-FXXX  
PRODUCT NO: PDC27W2-FXXX

REV	DESCRIPTION	DATE
1		
2		
3		
4		
5		