

HSF



ROHS

ELECTRICAL CHARACTERISTICS:

Dielectric withstanding Voltage: AC 1000V r.m.s.
 Insulation Resistance: 500 Megohms Minimum at DC 500V
 Contact Resistance: 25 Milliohms
 Operating Temperature: -20°C~+85°C

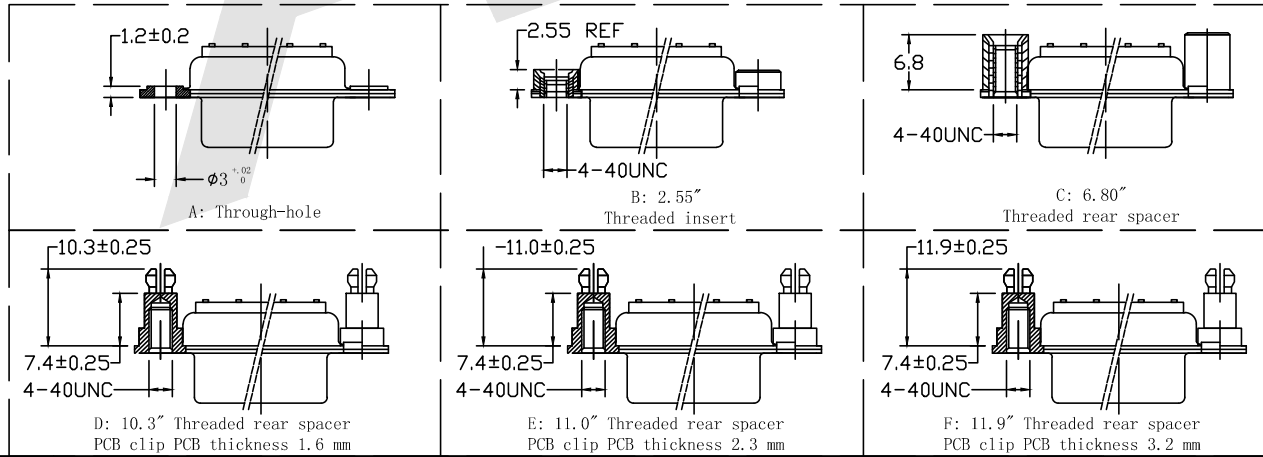
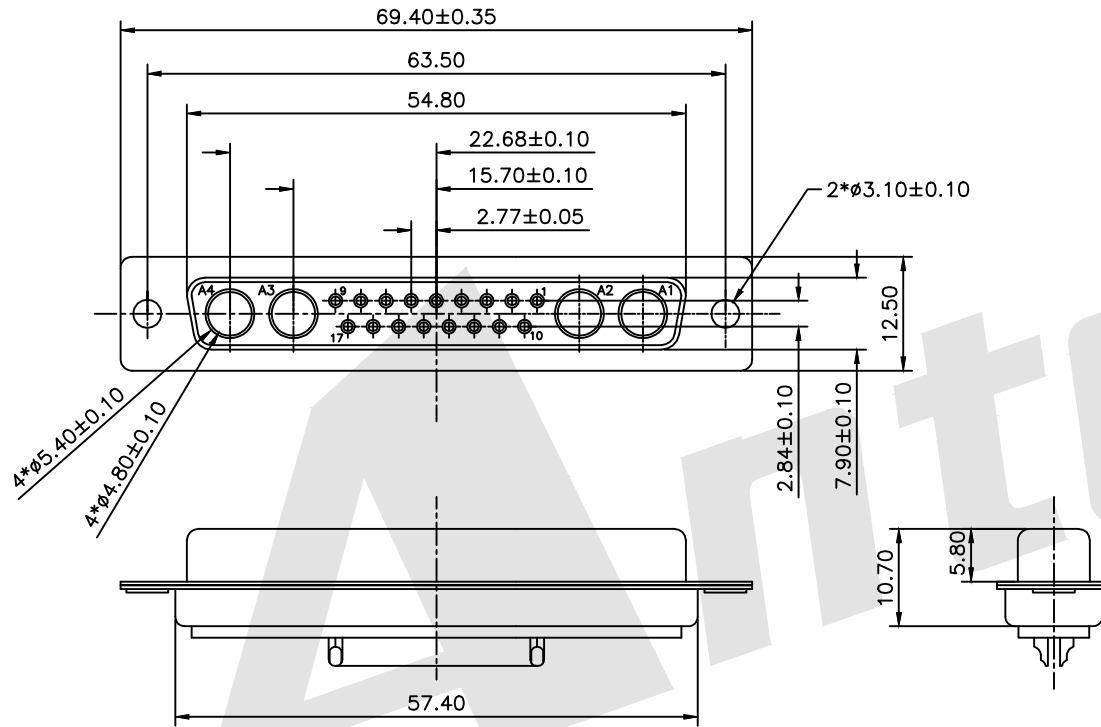
MATERIALS:

Insulator: PBT, UL 94V-0 Rated
 Shell: Cold Roller Steel

Ordering Code:

PDC21W4 -F -G0 -B -X
 ① ② ③ ④ ⑤

- ① Series
- ② Contact Type:
M:Male F:Female
- ③ Contact NO. :
G0: Gold flash G1: 3u" Gold
G2: 5u" Gold G3: 10u" Gold
G4: 15u" Gold G5: 30u" Gold
- ④ Insulation Color Code:
B:Black L:Blue
W:White
- ⑤ Mounting Option:
A: Through-hole
B: 2.55" Threaded insert
C: 6.80" Threaded rear spacer
D: 10.3" Threaded rear spacer
PCB clip
E: 11.0" Threaded rear spacer
PCB clip
F: 11.9" Threaded rear spacer
PCB clip

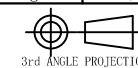


Unless Otherwise specified tolerance
 X. ±0.35 X.XX: ±0.20
 X.X: ±0.25 X.XXX: ±0.15

Antenk ANTENK ELECTRONICS CO., LTD
[Http://www.antenk.com](http://www.antenk.com)
 E-mail:sales@antenk.com

SCALE: As Shown UNIT: mm
 DRAW: Lv Xun Hua DATE: 22/05/2019
 CHECK: BobYang DATE: 22/05/2019

TITLE:
 Coaxial D-SUB 21W4 FEMALE Solder Cup



DRAWING NO: PDC21W4-FXXX
 PRODUCT NO: PDC21W4-FXXX

| REV | DESCRIPTION | DATE |
|-----|-------------|------|
| 1 | | |
| 2 | | |
| 3 | | |
| 4 | | |
| 5 | | |