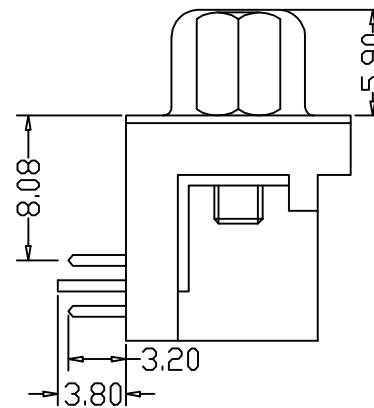
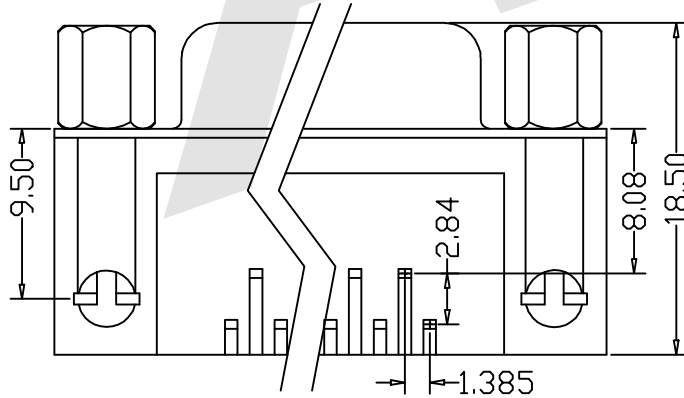
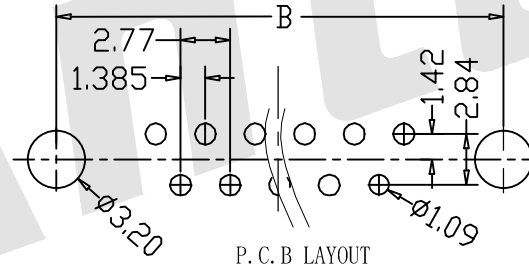
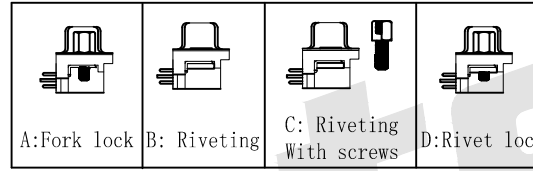
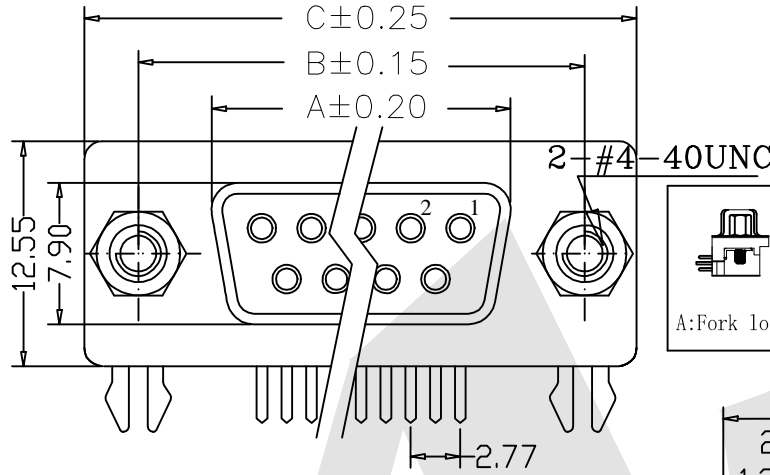


HSF



	09pin	15pin	25pin	37pin
A	16.33	24.66	38.38	54.84
B	24.99	33.32	47.04	63.50
C	30.80	39.10	53.00	69.30



Material:
 Housing: Temperature Thermoplastics, PBT+G. F UL 94V-0
 Contact: Brass or Bronze
 Shell: 0.35T Steel Nickel Plating All Area
 Electrical Characteristics:
 Current Rating: 5A
 Contact Resistance: 30 milliohms Max
 Withstanding Voltage: 1000V AC For 1 Minute
 Insulation Resistance: 5000 Megohms Min
 Operating Temperature: -55° C to +105° C
 Ordering Code:

DR01 - F - X - A - A - B - S
 ① ② ③ ④ ⑤ ⑥ ⑦

- ① Dual Row Angle DIP 8.08 Footprint
- ② Contact Type:
 F: Female
- ③ Contact NO.:
 09=09pin 15=15pin
 25=25pin 37=37pin
- ④ Mounting Option:
 A: Fork lock
 B: Riveting
 C: Riveting With screws
 D: Rivet lock
- ⑤ Accessories:
 0: Non Accessories
 A: Zinc alloy 4.8mm Nickel
 A1: Zinc alloy 5.8mm Nickel
 B: Iron 4.8mm Nickel
 B1: Iron 5.8mm Nickel
 C: Copper alloy 4.8mm Nickel
 C1: Copper alloy 5.8mm Nickel
 D: Copper screw 4.8mm Nickel
 D1: Copper screw 5.8mm Nickel
- ⑥ Color Code:
 W: White L: Blue
 B: Black G: Grey
- ⑦ Contact Plating
 S: Selective Gold
 S1: Selective 3u" Gold
 S2: Selective 5u" Gold
 S3: Selective 10u" Gold
 S4: Selective 15u" Gold
 S5: Selective 30u" Gold
 G0: Gold flash
 G1: 3u" Gold over
 G2: 5u" Gold over
 G3: 10u" Gold over
 G4: 15u" Gold over
 G5: 30u" Gold over

Unless Otherwise specified tolerance
 X. ±0.35 X.XX: ±0.20
 X.X: ±0.25 X.XXX: ±0.15

Antenk ANTENK ELECTRONICS CO., LTD
 Http://www.antenk.com
 E-mail:sales@antenk.com

SCALE: As Shown UNIT: mm
 DRAW Lv Xun Hua DATE 08/03/2019
 CHECK BobYang DATE 08/03/2019

TITLE: D-SUB PCB Female Dual Row Right Angle 8.08mm(stamped Pin)



DRAWING NO: DR01-FXAABS
 PRODUCT NO: DR01-FXAABS

REV	DESCRIPTION			DATE
1	2	3	4	5