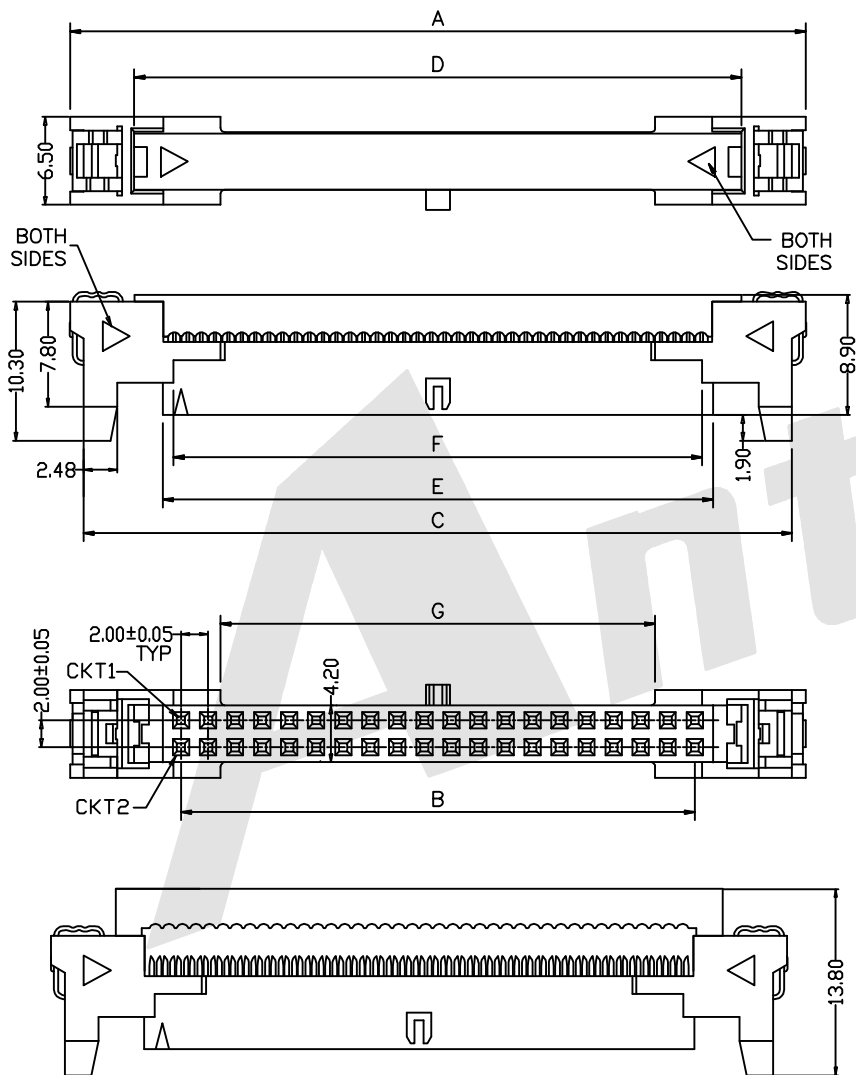
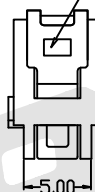


HSF



UPPER HOUSING IN OPEN POSITION

EMBOSSED METAL LATCH(2X)



SPECIFICATION

Current Rating: 1.0Amp
 Insulation Resistance: 1000MΩ min
 Contact Resistance: 20MΩ max
 Withstand Voltage: 500V AC/DC
 Operating Temperature: -40° C to +105° C
 Contact Material: Phosphor Bronze
 Contact Plating: Au Over Ni
 Insulator Material: PBT+30%GF UL 94V-0

Ordering Code:

FCCS07 - X - X - X - X - X
 ① ② ③ ④ ⑤ ⑥

① Series No:

② No. of Contacts
 40P 44P 50P

③ Contact Plating
 G0: Gold flash S0: Gold flash/Ni
 G1: 3u" Gold S1: 3u" Gold/Ni
 G2: 5u" Gold S2: 5u" Gold/Ni
 G3: 10u" Gold S3: 10u" Gold/Ni
 G4: 15u" Gold S4: 15u" Gold/Ni
 G5: 30u" Gold S5: 30u" Gold/Ni
 SN: Tin

④ Color Insulator
 B:Black
 G:Grey
 ⑤ Packing
 A:Tray
 B:Bag
 C:Tube
 D:Tape Reel

⑥ With Strain relief or not
 A: With strain relief
 B: without strain relief

PIN	A	B	C	D	E	F	G
40P	54.40	38.00	52.40	44.80	40.57	39.00	32.00
44P	58.40	42.00	56.40	48.80	44.57	43.00	36.00
50P	64.40	48.00	62.40	54.80	50.57	49.00	42.00

Unless Otherwise specified tolerance
 I. ±0.35 I.XI: ±0.20
 I.X: ±0.25 I.XXX: ±0.15

SCALE: As Shown UNIT: mm
 DRAW DATE 08/03/2017
 Gong Fang
 CHECK DATE 08/03/2017
 BobYang

Antenk ANTENK ELECTRONICS CO., LTD
 Http://www.antenk.com
 E-mail:sales@antenk.com

TITLE: 2.00mm IDC Socket 40, 44, 50P
 WITH METAL LOCK

DRAWING NO: FCCS07-XXXX
 PRODUCT NO: FCCS07-XXXX



REV	DESCRIPTION	DATE
1		
2		
3		
4		
5		
6		
7		
8		