



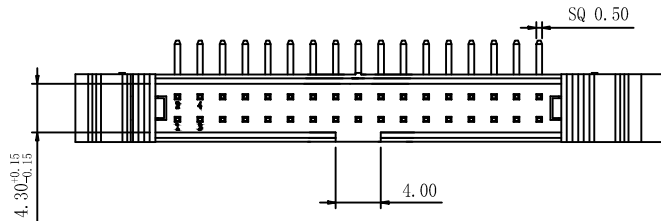
SPECIFICATION

Current Rating: 1.5Amp
 Insulation Resistance: 1000MΩ min
 Contact Resistance: 20MΩ max
 Withstand Voltage: 500V AC/DC
 Operating Temperature: -40°C to +105°C
 Contact Material: Brass
 Contact Plating: Au or Sn Over Ni
 Insulator Material: PA6T+30%GF UL 94V-0

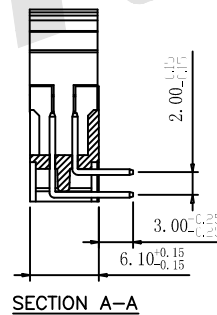
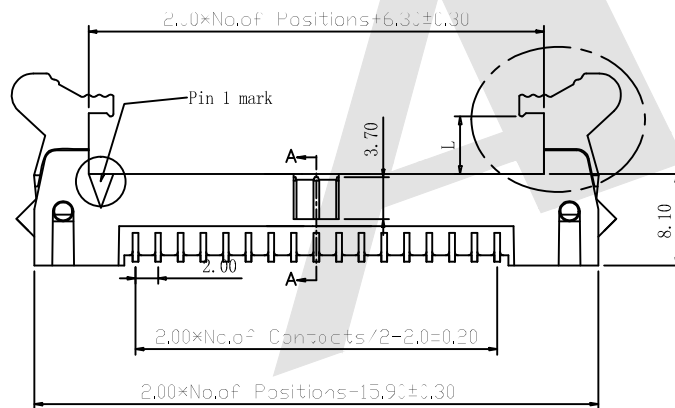
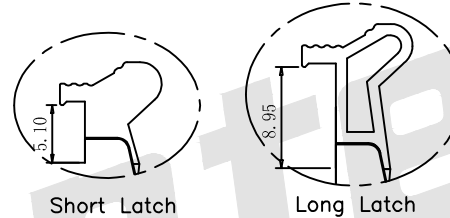
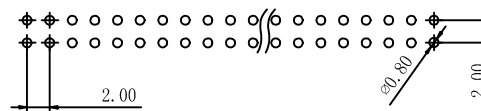
Ordering Code:

LHCR01 - X - X - X - X - X - X
 ① ② ③ ④ ⑤ ⑥ ⑦

- ① Series No:
- ② No. of Contacts
 - 8 10 14
 - 16 20 24
 - 26 30 34
 - 40 44 50
 - 60 64 68
- ③ Contact Plating:
 - G0:Gold flash S0:Selective
 - G1:3u" Gold S1:Selective 3u"
 - G2:5u" Gold S2:Selective 5u"
 - G3:10u" Gold S3:Selective 10u"
 - G4:15u" Gold S4:Selective 15u"
 - G5:30u" Gold S5:Selective 30u"
 - SN:Tin
- ④ Color Insulator
 - B:Black
 - U:Blue
 - G:Gray
- ⑤ Insulator Material
 - A; PBT
 - B:PA6T
 - C:LCP
 - D:PA46
 - E:PA9T
- ⑥ Packing
 - A:Tray
 - B:Bag
 - T:Tube
 - U:Tube+CAP
 - R:Tape&Reel
 - W:Tape&Reel+CAP
- ⑦ A:Short Latch
B:Long Latch



Recommended P.C.B Layout (Top Side)
 (PCB BOARD TOLERANCE ±0.05)



Unless Otherwise specified tolerance
 X. ±0.35 X.XX: ±0.20
 X.X: ±0.25 X.XXX: ±0.15

Antenk ANTENK ELECTRONICS CO., LTD
[Http://www.antenk.com](http://www.antenk.com)
 E-mail:sales@antenk.com

SCALE: As Shown UNIT: mm
 DRAW: YG ZHONG DATE: 01/05/2016
 CHECK: BobYang DATE: 01/05/2016

TITLE:
 2.00mm Ejector Header 90°

DRAWING NO: LHCR01-XXXXXX
 PRODUCT NO: LHCR01-XXXXXX



REV	DESCRIPTION	DATE