

HSF

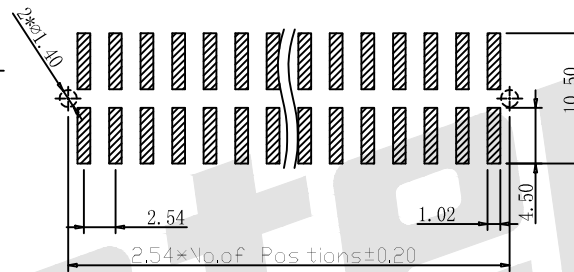
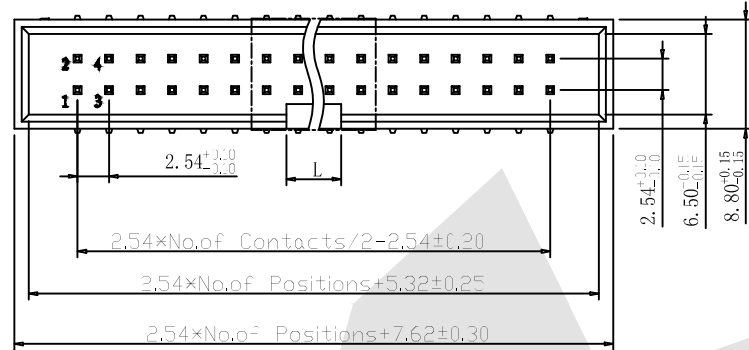


RoHS

SPECIFICATION

Current Rating: 3.0Amp
 Insulation Resistance: 1000MΩ min
 Contact Resistance: 20MΩ max
 Withstand Voltage: 500V AC/DC
 Operating Temperature: -40°C to +105°C
 Contact Material: Brass
 Contact Plating: Au or Sn Over Ni
 Insulator Material: PA6T UL 94V-0

Recommended P.C.B Layout (Top Side)
 (PCB BOARD TOLERANCE ±0.05)

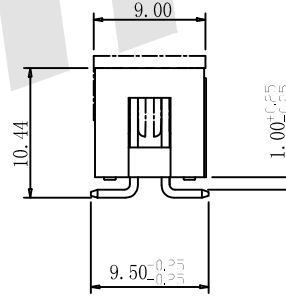
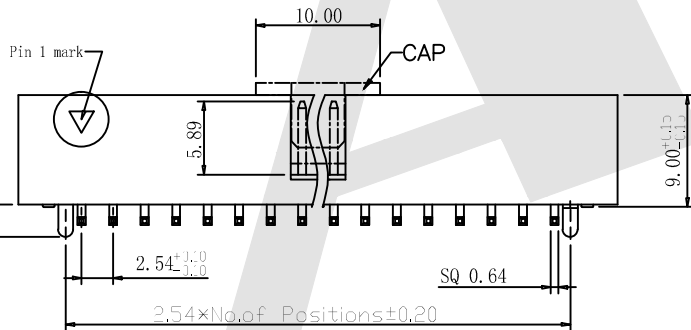


Ordering Code:

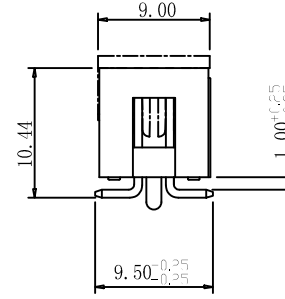
BHDM01 - X - X - X - X - X - X

① ② ③ ④ ⑤ ⑥ ⑦

- ① Series No:
- ② No. of Contacts
 06 08 10 12 14 16 18
 20 22 24 26 28 30 32
 34 36 40 44 48 50 60
 64
- ③ Contact Plating:
 G0: Gold flash S0: Selective
 G1: 3u" Gold S1: Selective 3u"
 G2: 5u" Gold S2: Selective 5u"
 G3: 10u" Gold S3: Selective 10u"
 G4: 15u" Gold S4: Selective 15u"
 G5: 30u" Gold S5: Selective 30u"
 SN: Tin
- ④ Color Insulator
 B: Black
 U: Blue
 G: Gray
- ⑤ Insulator Material
 B: PA6T
 C: LCP
 E: PA9T
- ⑥ Packing
 A: Tray
 B: Bag
 T: Tube
 U: Tube+CAP
 R: Tape&Reel
 W: Tape&Reel+CAP
- ⑦ With locating pegs option
 A: Type A without pegs
 B: Type B with pegs



A=TYPE A



B=TYPE B

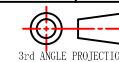
Unless Otherwise specified tolerance

X. ±0.35 X.XX: ±0.20
 X.X: ±0.25 X.XXX: ±0.15

SCALE: As Shown UNIT: mm

DRAW YG ZHONG DATE 01/05/2016

CHECK BobYang DATE 01/05/2016



ANTENK ELECTRONICS CO., LTD
 Http://www.antenk.com
 E-mail: sales@antenk.com

TITLE: 2.54mm Box Header SMT H=9.0
 (with or without Post)

DRAWING NO: BHDM01-XXXXXX

PRODUCT NO: BHDM01-XXXXXX

REV	DESCRIPTION	DATE