

HSF



FEATURES:

- Round cable Straight exit
- Strain Relief Straple With Jackscrew
- Back shell desing by Die-Cast
- Excellent EMI/RFI protection

MATERIALS:

- Back Shell:Zinc plate nickel over copper
- Spring latches:phosphor bronze over nickel
- Screw:stell nickel plated over copper
- Cable Clipper:stell nickel plated

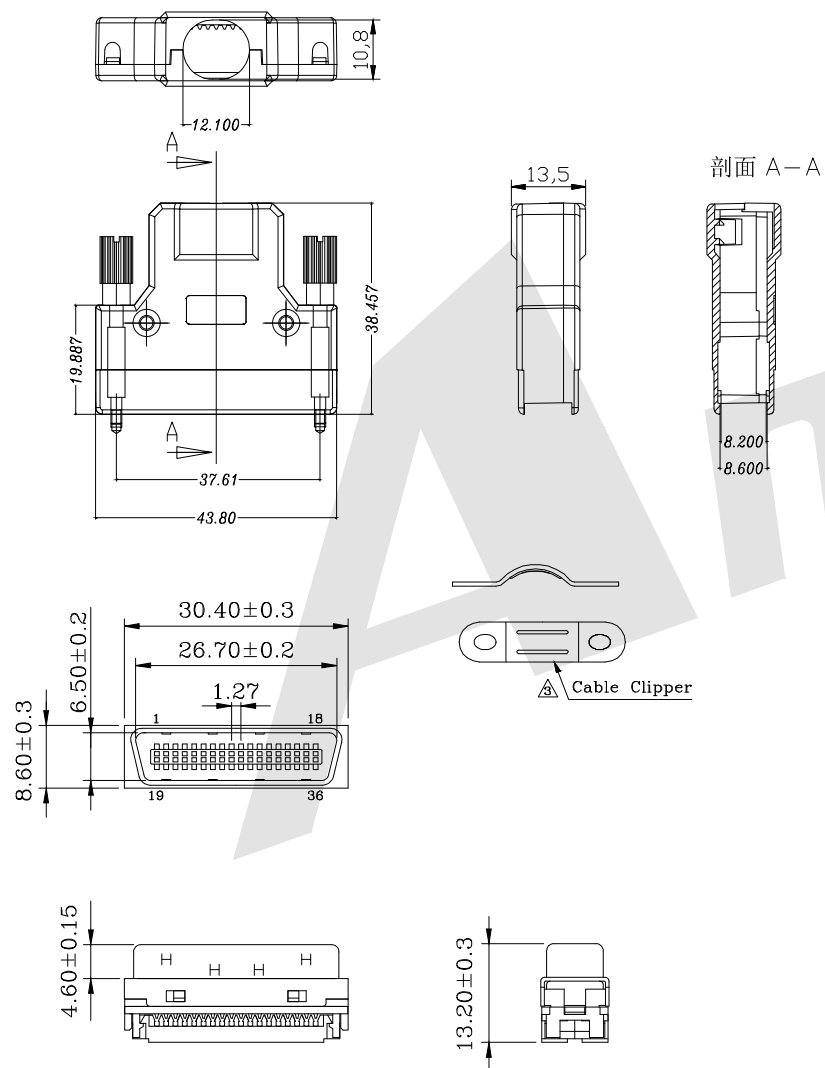
HPMCS01CNI-36X-X  
① ②

① ENTRY HOLE SIZES

9=9.0 mm

② Threaded Finishes:

- 1:Threaded Insert #2-56
- 2:Threaded Insert #4-40
- 3:Threaded Insert M2.6



Unless Otherwise specified tolerance  
 X. ±0.35 X.XX: ±0.20  
 X.X: ±0.25 X.XXX: ±0.15

**Antenk**® ANTENK ELECTRONICS CO., LTD  
[Http://www.antenk.com](http://www.antenk.com)  
 E-mail:sales@antenk.com

SCALE: As Shown	UNIT: mm
DRAW Jack Bao	DATE 8/23/2018
CHECK Bob Yang	DATE 8/23/2018

TITLE: 1.27mm Series Shielded Backshell Kits 36P  
 Straight Exit With Jackscrew and Connector  
 IDC Molded Ribbon Type



DRAWING NO:HPMCS01CNI-36XX  
 PRODUCT NO:HPMCS01CNI-36XX

REV	DESCRIPTION	DATE