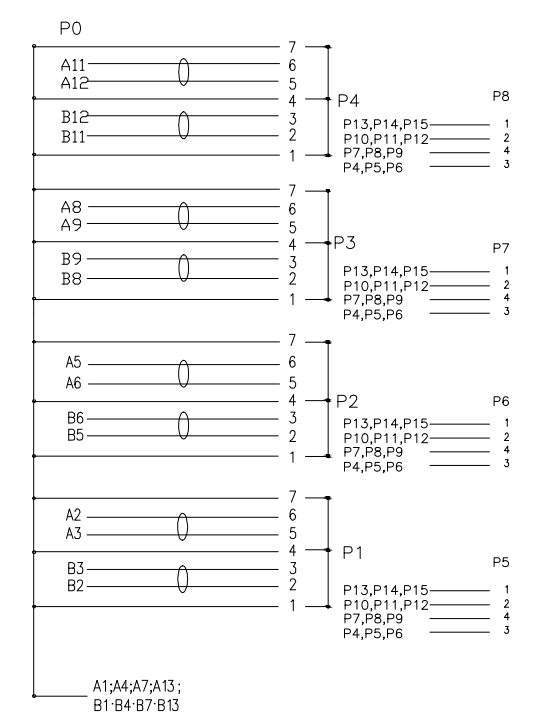


PIN ASSIGNMENT:



NOTE:
 1.100% OPEN&SHORT TESTIGN,
 2.INSULATION RESISTANCE 10M Ohm MIN DC300V
 3.CONDUCTIVE RESISTANCE: 2 Ohm MAX

NO.	PART NAME	PART NO.	SPEC DESCRIPTION	QT'Y	UNIT
10	LABLE	AQ-5-MS5039	W6*L24, PRINT *P1&P2&P3&P4*	4	pcs
9	CONN.	AQ-3-GL51S03	4P,NATURAL,PH5.08,PIN:G/F	4	pcs
8	CONN.	AQ-3-GL51S01	SAS 29P/F,PIN:G/F	4	pcs
7	CABLE	AQ-3-MS40108	20AWG (RED/BLACK/YELLOW)	A/R	mm
6	ACETATE TAPE	AQ-3-MS77001	W=25±5mm, BLACK	1	pcs
5	MOLDING	AQ-3-GL145201	45P PVC BLACK	A/R	g
4	MOLDING	AQ-3-GL100101	LDPE,NATURAL	A/R	g
3	ASSEMBLY PARTS	AQ-3-MS62001	ASSEMBLY PARTS (Zinc ALLOY HOODS, HOOK,PULL-TAB, RUBBER RING)	1	set
2	PCB	AQ-3-MS31021	MINI SAS 26P PCBA, PIN,15u Au, 100±10 Ohm	1	pcs
1	CABLE	AQ-3-MS41602	<28AWG*2C+D+HMAM+HM>*8C+M+AM+B,DD:7.5±0.15MM, BLACK PVC 100±5 Ohm	A/R	mm

A	INITIAL RELEASE		12/10/12	
REV	DESCRIPTION OF CHANGE			DATE
TOLERANCE				
INCHES		MM		
.X	.015	.30		
.XX	.010	.10		
.XXX	.005	.05		
DRAWN BY	TONY CHAN		SCALE	NONE
CHECK BY			UNIT	MM
CUSTOMER P/N:		P/N: AQ-1-MS254P12000		