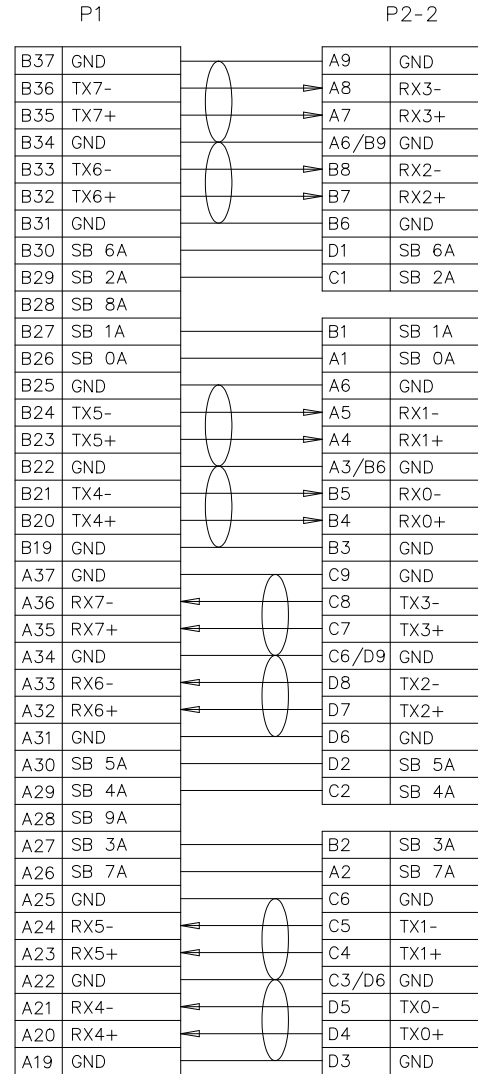
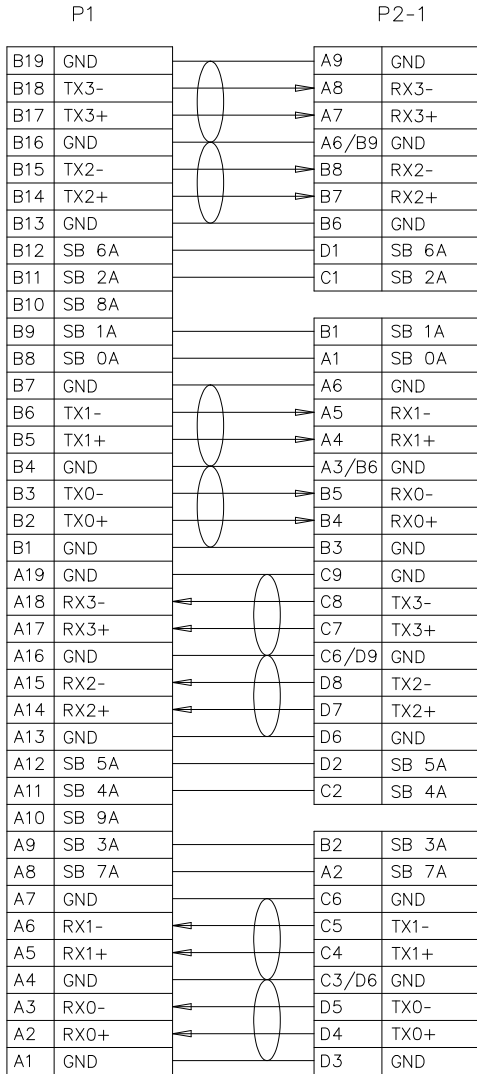


13	MOLDING	AQ-3-GL10501	PA BLACK	A/R	9
12	COVER	AQ-3-MS64002	MINISAS HD 8I COVER, PC BLACK	1	pcs
11	HOUSING	AQ-3-MS64001	MINISAS HD 8I HOUSING, PC BLACK	1	pcs
10	PCB	AQ-3-MS31023	MINISAS HD 4i PCB(C/D),PIN:AU 15u&30u,100±10 ohm	2	pcs
9	PCB	AQ-3-MS31022	MINISAS HD 4i PCB(A/B),PIN:AU 15u&30u,100±10 ohm	2	pcs
8	LATCH	AQ-3-MS21008	STAINLESS STEEL	2	pcs
7	EXPANDD	AQ-3-MS76001	PET BALCK DD: 10mm	A/R	mm
6	ACETATE TAPE	AQ-3-MS77001	W=25±5mm,BLACK	A/R	mm
5	MOLDING	AQ-3-GL100101	LDPE,NATURAL	A/R	9
4	MOLDING	AQ-3-GL100401	PBT+30GF% BLACK	A/R	9
3	PCBA	AQ-3-MS31027	SLIMSAS 8I PCB, PIN:15u&30u Au, 88±8 ohm	2	PCS
2	CABLE	AQ-3-MS40101	30AWG CABLE,DD:0.65	A/R	mm
1	CABEL	AQ-3-MS40208	(32AWG*2C+2D)AL+MYLAR,DD:0.65*1.54MM,85±5 ohm	A/R	mm
NO.	PART NAME	PART NO.	SPEC DESCRIPTION	QT'Y	UNIT

TOLERANCE			DIKWAN ® DONGGUAN AIQUN INDUSTRIAL CO., LTD.				
INCHES	M/M						
.X	.015	.30					
.XX	.010	.10					
.XXX	.005	.05					
DRAWN BY	TONY CHAN		SCALE	NONE		REV	AO
			UNIT	MM			
CHECK BY	LJF		SHEET	1/2	COSTOMER:		
			DATE	19/03/06	DWG NO.:AQ03-0219A		
APPD BY			TITLE: SLIMSAS 8i TO MINISAS HD 8i				
CUSIOMER. P/N:			P/N: AQ-1-MSAB1010500				



ELECTRICAL CHARACTER:

- a. 100% OPEN&SHORT TESTING;
- b. WITHSTANDING VOLTAGE:DC 300V 0.01Sec;
- c. INSULATION RESISTANCE:10M Ohm(Min);
- d. CONDUCTIVE RESISTANCE:2 Ohm(Max).

TOLERANCE INCHES			M/M			DIKWAN® DONGGUAN AIQUN INDUSTRIAL CO., LTD.		
.X	.015	.30	SCALE	NONE		REV	AO	
.XX	.010	.10	UNIT	MM				
.XXX	.005	.05	DRAWN BY	TONY CHAN	SHEET	2/2	COSTOMER:	
CHECK BY			LJF	DATE	19/03/06	DWG NO.:AQ03-0219A		
APPD BY			TITLE: SLIMSAS 8i TO MINISAS HD 8i					
CUSIOMER. P/N:			P/N: AQ-1-MSAB1010500					