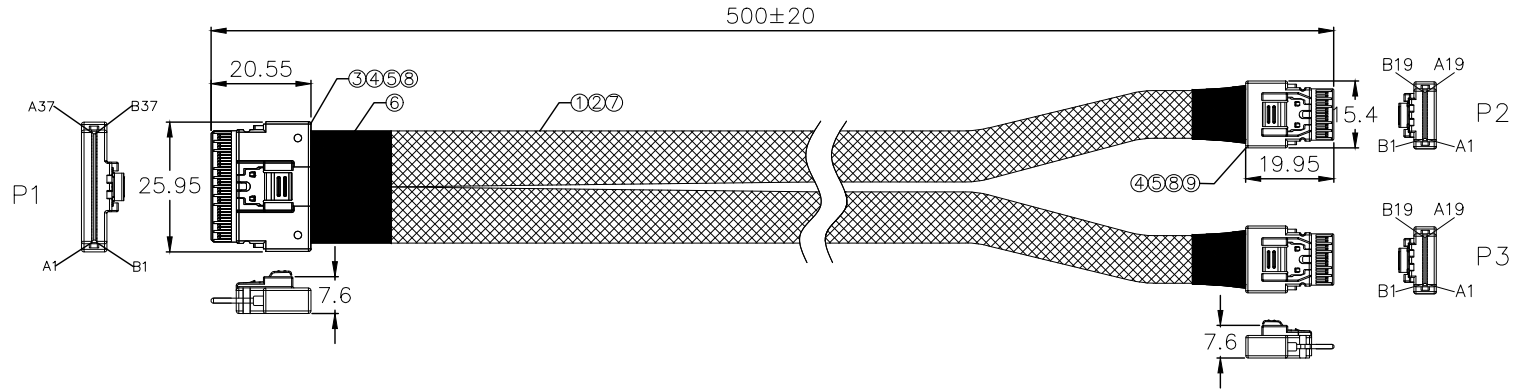


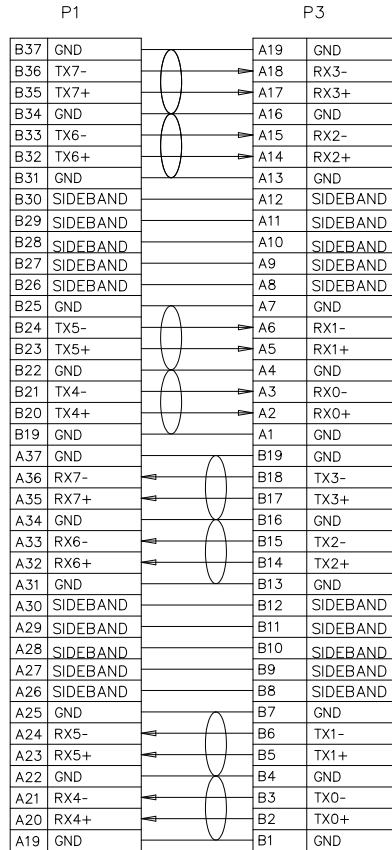
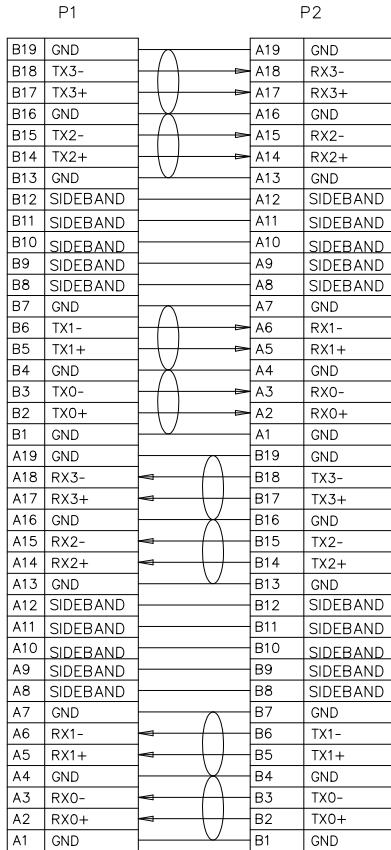
RoHS
compliant



9	PCBA	AQ-3-MS31026	SLIMSAS 4I PCB, PIN:15u&30u Au, 88±8 ohm	2	PCS
8	LATCH	AQ-3-MS21008	STAINLESS STEEL	3	pcs
7	EXPANDD	AQ-3-MS76001	PET BALCK DD: 10mm	A/R	mm
6	ACETATE TAPE	AQ-3-MS77001	W=25±5mm, BLACK	25	mm
5	MOLDING	AQ-3-GL100101	LDPE, NATURAL	A/R	9
4	MOLDING	AQ-3-GL100401	PBT+30GF% BLACK	A/R	9
3	PCBA	AQ-3-MS31027	SLIMSAS 8I PCB, PIN:15u&30u Au, 88±8 ohm	1	PCS
2	CABLE	AQ-3-MS40101	30AWG CABLE, DD:0.65	A/R	mm
1	CABEL	AQ-3-MS40208	(32AWG*2C+2D)AL+MYLAR, DD:0.65*1.54MM, 85±5 ohm	A/R	mm
NO.	PART NAME	PART NO.	SPEC DESCRIPTION	QTY	UNIT

TOLERANCE							
INCHES		M/M					
.X	.015	.30	DIKWAN® DONGGUAN AIQUN INDUSTRIAL CO., LTD.				
.XX	.010	.10	SCALE	NONE		REV	A0
.XXX	.005	.05	UNIT	MM			
DRAWN BY TONY CHAN			SHEET	1/2	CUSTOMER:		
CHECK BY LJF			DATE	19/03/06	DWG NO.: AQ03-0219A		
APPD BY			TITLE: SLIMSAS 8i TO 2*4i CABLE				
CUSTOMER. P/N:			P/N: AQ-1-MSA91010500				

RoHS
compliant



ELECTRICAL CHARACTER:

- a. 100% OPEN&SHORT TESTING;
- b. WITHSTANDING VOLTAGE:DC 300V 0.01Sec;
- c. INSULATION RESISTANCE:10M Ohm(Min);
- d. CONDUCTIVE RESISTANCE:2 Ohm(Max).
- e.Impedance: 85 Ohm
- f.Electrical and mechanical performance should meet the PCIE4.0 industrial standard.

TOLERANCE INCHES			M/M			DIKWAN® DONGGUAN AIQUN INDUSTRIAL CO., LTD.		
.X	.015	.30	SCALE	NONE		REV	A0	
.XX	.010	.10	UNIT	MM				
.XXX	.005	.05	DRAWN BY	TONY CHAN	SHEET	2/2	COSTOMER:	
			CHECK BY	LJF	DATE	19/03/06	DWG NO.:AQ03-0219A	
			APPD BY		TITLE: SLIMSAS 8i TO 2*4i CABLE			
			CUSIOMER. P/N:		P/N: AQ-1-MSA91010500			