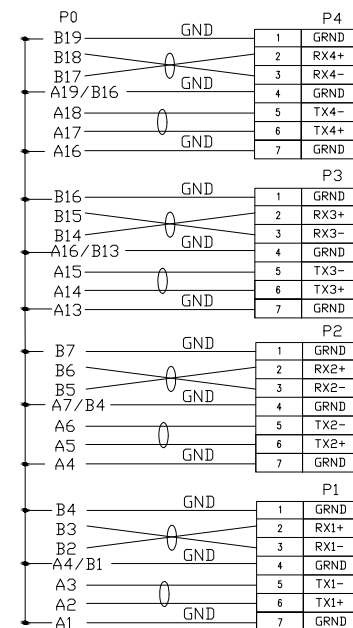


PIN ASSIGNMENT:



NC:A8,A9,A10,A11,A12,  
B8,B9,B10,B11,B12

NOTE:  
1.100%OPEN&SHORT TESTIGN,  
2.INSULATION RESISTANCE 10M Ohm MIN DC300V  
3.CONDUCTIVE RESISTANCE: 2 Ohm MAX

NO.	PART NAME	PART NO.	SPEC DESCRIPTION	QTY	UNIT
10	LABLE	AQ-5-MS5039	W6*L24, PRINT "P1&P2&P3&P4"	4	pcs
9	CONN.	AQ-3-GL51S01	SATA 7P/F,PING/F	4	pcs
8	EXPANDD	AQ-3-MS76001	PET BALCK DD: 10mm	A/R	mm
7	ACETATE TAPE	AQ-3-MS77001	W=25±5mm,BLACK	2	pcs
6	MOLDING	AQ-3-GL145201	45P PVC BLACK	A/R	g
5	MOLDING	AQ-3-GL100101	LDPE,NATURAL	A/R	g
4	MOLDING	AQ-3-GL100401	PBT+30%GF BLACK	A/R	g
3	LATCH	AQ-3-MS21008	STAINLESS STEEL	5	pcs
2	PCB	AQ-3-MS31019	SLIMSAS 4I PCB, PIN:Au 15u&30u, 88±8 ohm	1	PCS
1	CABLE	AQ-3-MS40208	(32AVG*2C+2D)AL+MYLAR,DD:0.65*1.54MM,85±5 ohm.	A/R	mm

REV	INITIAL RELEASE	DESCRIPTION OF CHANGE	DATE
A			12/10/12

TOLERANCE				REV	A
INCHES					
MM					
.X	.015	.30		REV	A
.XX	.010	.10			
.XXX	.005	.05			

<p>DIKWAN® DONGGGUAN AIQUN INDUSTRIAL CO.,LTD.</p>					
SCALE	NONE		REV	A	
UNIT	MM				
SHEET	1/1	CUSTOMER:			
DATE	16/04/10	DWG NO:			
TITLE: SLIMSAS 4I TO 4*SATA					
CUSTOMER P/N:			P/N: AQ-1-MS9S4010500		