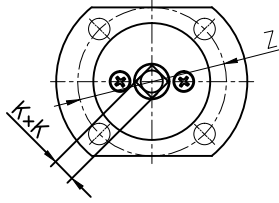


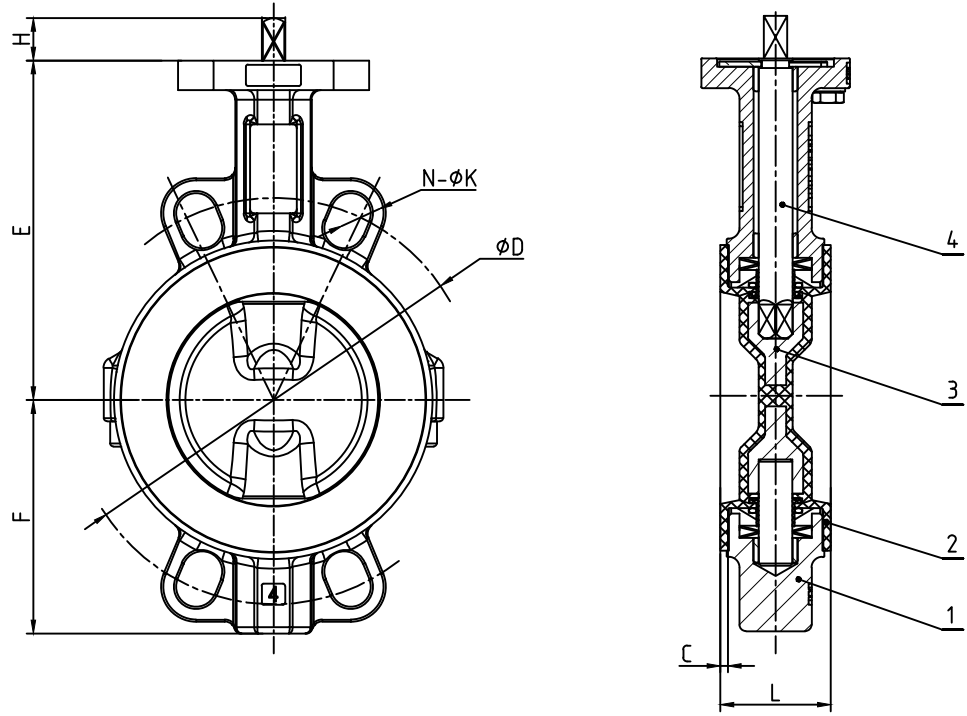
1 2 3 4 5 6 7 8

TOP VIEW



DN	50	65	80	100	125	150	200	250	300	350	400	450
Z	F05	F05	F05	F07	F07	F07	F10	F10	F12	F12	F16	F16
K	9	9	9	11	14	14	17	22	22	22	27	27

TECHNICAL REQUIREMENTS	
FACE TO FACE STANDARD	API609
TOP FLANGE STANDARD	ISO5211
JOINT FLANGE STANDARD	DIN2502 PN16
TEST STANDARD	API598
FEATURES	
NOMINAL PRESSURE	1.0 MPa
SEAL TEST PRESSURE	1.1 MPa
SHELL TEST PRESSURE	1.5 MPa
WORKING TEMP	-10°C TO +180°C



DN	inch	L	ϕD	N- ϕK	E	F	H	C
50	2	43	125	2-18	134	68	20	3.5
65	2.5	46	145	2-18	145	78	20	3.5
80	3	46	160	2-18	150	80	20	3.5
100	4	52	180	4-18	160	110	20	3.5
125	5	56	210	4-18	178	130	20	4
150	6	56	240	4-22	197	140	20	4
200	8	60	295	4-22	239	175	30	5
250	10	68	355	4-26	278	215	30	5
300	12	78	410	4-26	315	250	30	5.5
350	14	78	470	4-26	355	255	30	5.5
400	16	102	525	4-30	380	285	60	6
450	18	114	585	4-30	425	320	60	6

4	Stem	1	SS420	
3	Disc	1	WCB+PTFE/WCB+PFA	
2	Seat	1	PTFE	
1	Body	1	DI	
NO.	PARE NAME	QTY.	MATERIAL	NOTE

Classification:	Changes: 000+	Drawn	Ye	13.02.2017	Scale	mm	
		Checked	-		1:2		
Material:		Approved	-		Size	Sheet	
Weight:		Status:	in Arbeit		A3	1/1	
Description					Drawing-Nr.		Index
					Wafer Butterfly valve		

1 2 3 4 5 6 7 8